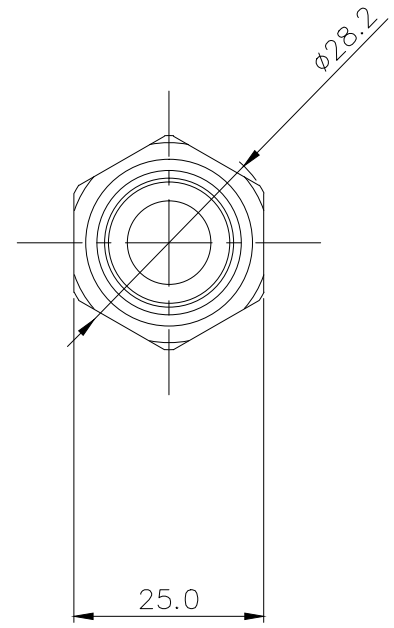
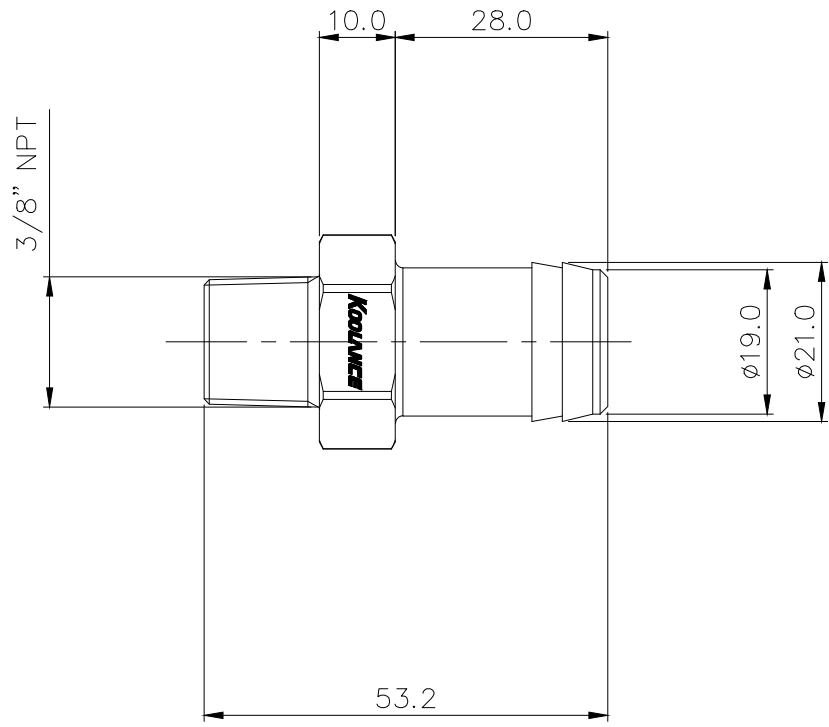




Single barb fitting for 3/4in (19mm) ID tubing. 3/8 NPT (tapered) thread. Spring clamp for 7/8in (22mm) OD included.

General	
Weight	0.30 lb (0.14 kg)
Max Pressure Tolerance @ 25°C	15kgf/cm ² (213.4psi)
Max Temperature Tolerance	120°C (248°F)
Wetted Materials	Brass, Nickel Plating



NO.	DESCRIPTION	MATER'L	QUANTITY	REMARKS
	Koolance	UNIT	MM	ITEM FIT-V19N38
		SCALE	N/S	TITLE
DATE	BY	BY	APPRO BY	Ass'y
	S.J.LEE			3RD ANGLE
			CODE NO.	DWG. NO.
				PAGE