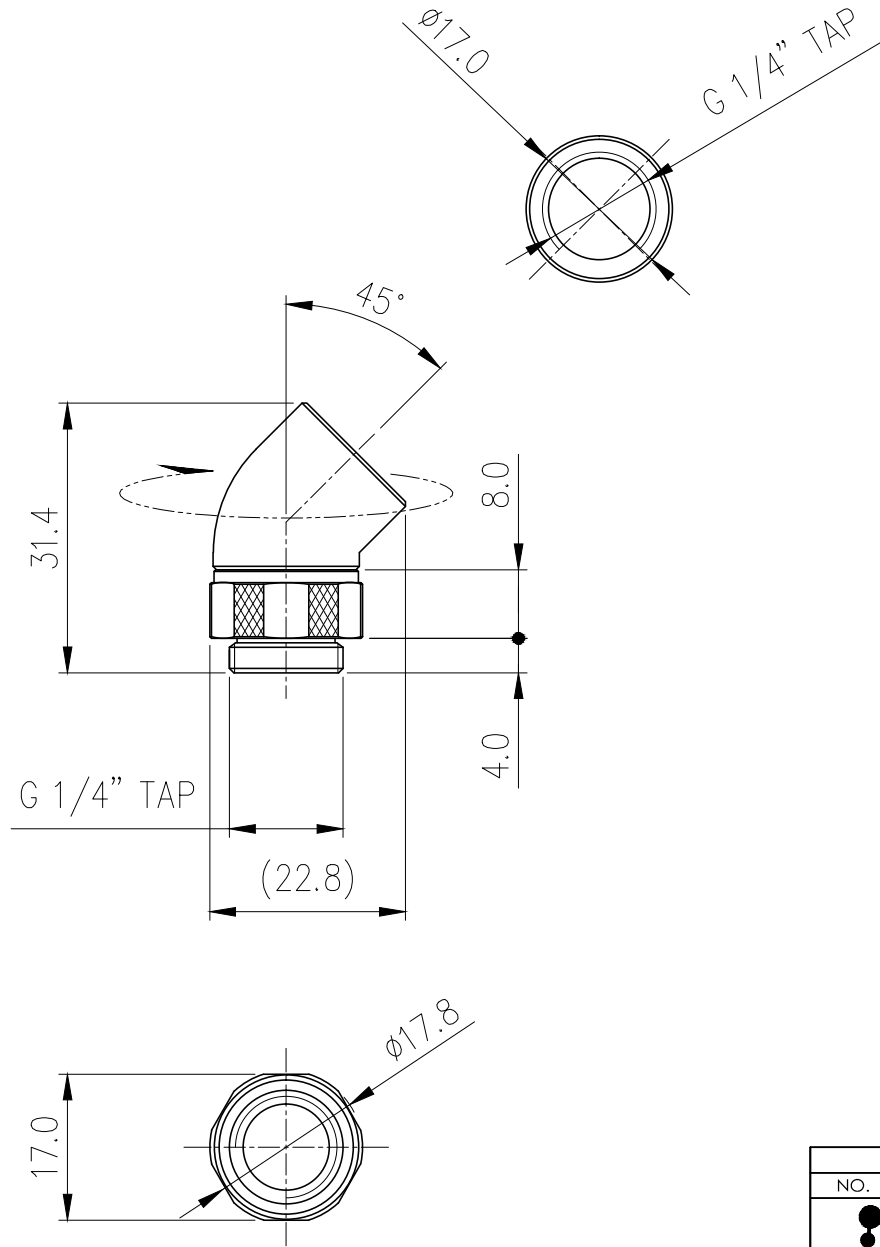




Koolance swiveling G 1/4 BSPP socket fitting with a 45-degree bend.

General	
Weight	0.05 lb (0.02 kg)
Fitting Thread	G 1/4 BSPP
Materials	Brass, EPDM
Max Pressure Tolerance @ 25°C	8kgf/cm <sup>2</sup> (113.8psi)
Max Temp. Operating Tolerance	100°C (212°F)



NO.	DESCRIPTION	MATER'L		QUANTITY	REMARKS
	<b>KOOLANCE</b>	UNIT	MM	APPAR	ADT-DXG45
		SCALE	N/S	TITLE	
DATE	BY	BY	BY	BY	3RD ANGLE
04/06/2017	S.J.LEE				CODE NO.
					DWG. NO.

Ass'y