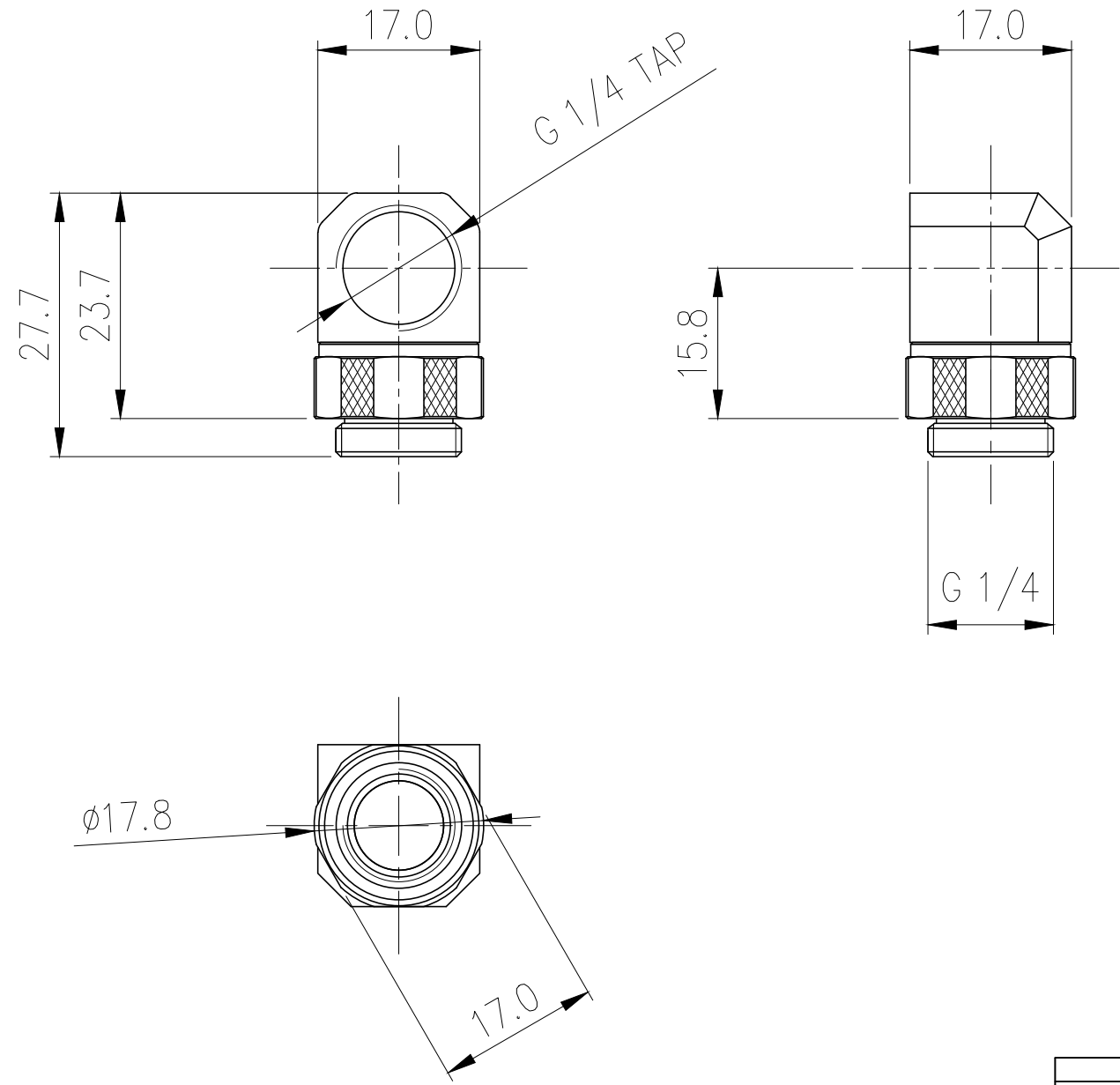




Create a swiveling 90 degree elbow bend using any Koolance G 1/4 BSPP (parallel) thread fitting. For a basic elbow fitting, the [Koolance Coupling Adapter](#) could also be used. Or for maximum adjustment, consider placing two swiveling elbow fittings together.

General	
Weight	0.08 lb (0.04 kg)
Fitting Thread	G 1/4 BSPP
Materials	Brass, EPDM
Max Pressure Tolerance @ 25°C	8kgf/cm ² (113.8psi)
Max Temp. Operating Tolerance	100°C (212°F)



REV	DATE	CONTENTS	REVD BY	CHKD BY	APPD BY

NO.	DESCRIPTION	MATER'L		QUANTITY	REMARKS
		UNIT	MM	APPAR	NZL-LXG1(-BK)
		SCALE	N/S	TITLE Ass'y	
		3RD ANGLE			
DATE	BY	BY	BY	REF. NO.	DWG. NO.
	S.J.LEE				