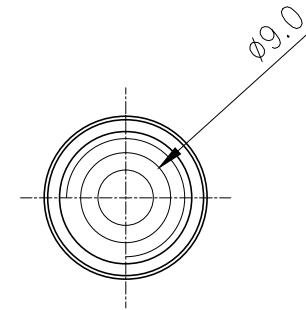
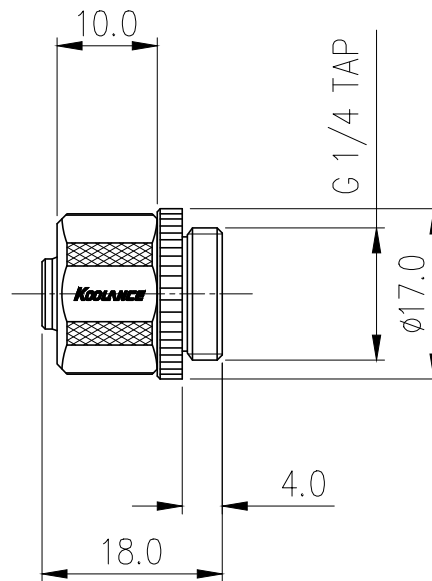
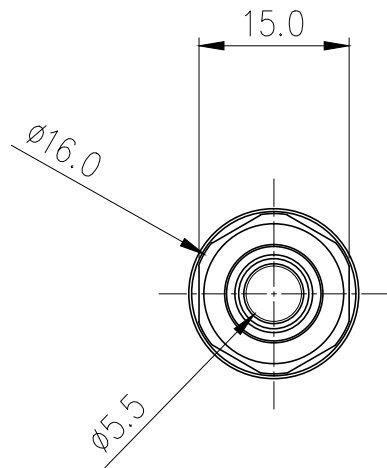


Compression Fitting for 06mm x 10mm (1/4in x 3/8in) *Black*, G 1/4 BSPP



Single fitting for 1/4in (6mm) ID, 3/8in (10mm) OD tubing. G 1/4 BSPP (parallel) thread.

General	
Weight	0.04 lb (0.02 kg)
Max Pressure Tolerance @ 25 °C	15kgf/cm2 (213.4psi)
Max Temperature Tolerance	120 °C (248 °F)
Wetted Materials	Brass, EPDM



REV	DATE	CONTENTS	REVD BY	CHKD BY	APPD BY
REVISION					

NO.	DESCRIPTION			MATER'L		QUANTITY	REMARKS
KODANCE			UNIT	MM	APPAR FIT-V06X10(-BK)		
DATE	BY	BY	BY	APPRD BY	SCALE	N/S	Ass'y
05.01.2014	S.J.LEE				3RD ANGLE		
					REF. NO.		DWG. NO.