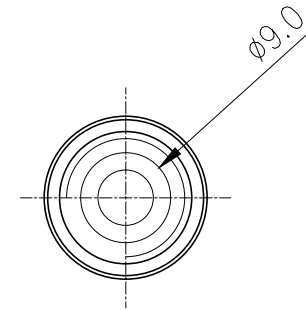
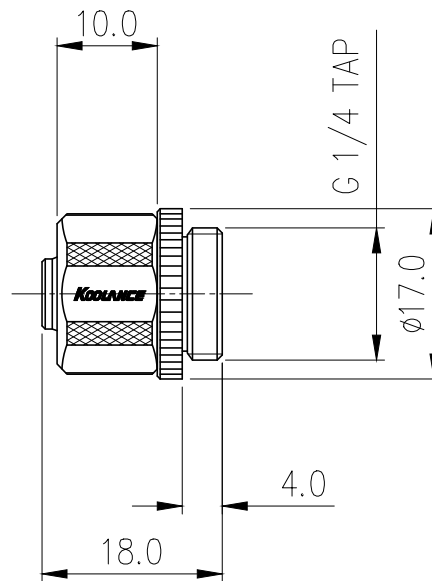
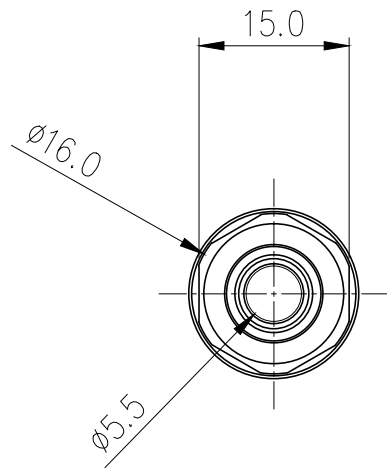


**Compression Fitting for 06mm x 10mm (1/4in x 3/8in), G 1/4 BSPP**



Single fitting for 1/4in (6mm) ID, 3/8in (10mm) OD tubing. G 1/4 BSPP (parallel) thread.

General	
Weight	0.04 lb (0.02 kg)
Max Pressure Tolerance @ 25° C	15kgf/cm2 (213.4psi)
Max Temperature Tolerance	120° C (248° F)
Wetted Materials	Brass, Nickel Plating, EPDM



REV	DATE	CONTENTS	REVD BY	CHKD BY	APPD BY
REVISION					

NO.	DESCRIPTION			MATER'L		QUANTITY	REMARKS
<b>KODANCE</b>				UNIT	MM	APPAR FIT-V06X10(-BK)	
DATE	BY	BY	BY	APPRD BY	SCALE	N/S	Ass'y
05.01.2014	S.J.LEE				3RD ANGLE		
					REF. NO.		DWG. NO.