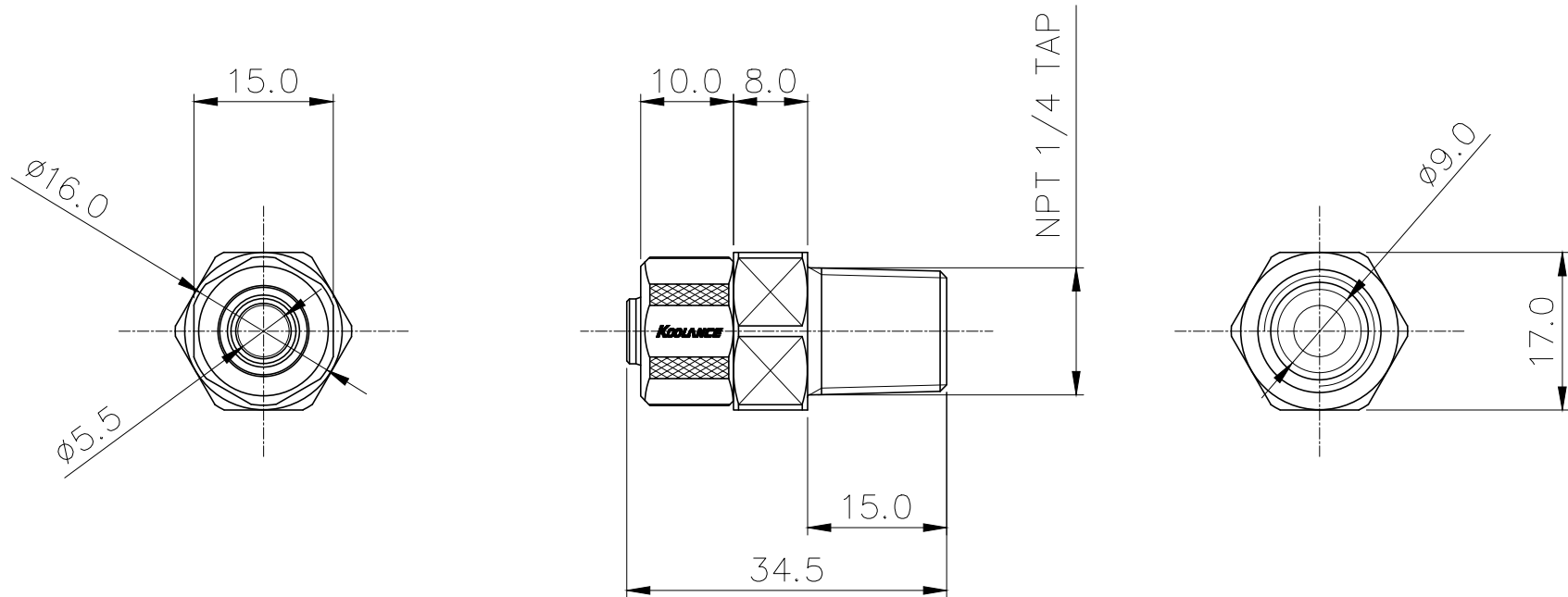


Compression Fitting for 06mm x 10mm (1/4in x 3/8in), 1/4 NPT



Single fitting for 1/4in (6mm) ID, 3/8in (10mm) OD tubing. 1/4 NPT (tapered) thread.

General	
Weight	0.04 lb (0.02 kg)
Max Pressure Tolerance @ 25° C	15kgf/cm2 (213.4psi)
Max Temperature Tolerance	120° C (248° F)
Wetted Materials	Brass, Nickel Plating, EPDM



REV	DATE	CONTENTS	REVD BY	CHKD BY	APPD BY
REVISION					

NO.	DESCRIPTION			MATER'L		QUANTITY	REMARKS
KOLANCE			UNIT	MM	APPAR FIT-V06X10N14		
DATE	BY	BY	BY	APPRD BY	SCALE	N/S	TITLE Ass'y
					3RD ANGLE		
	S.J.LEE				REF. NO.		DWG. NO.