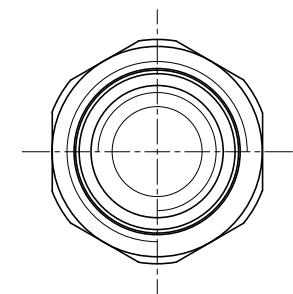
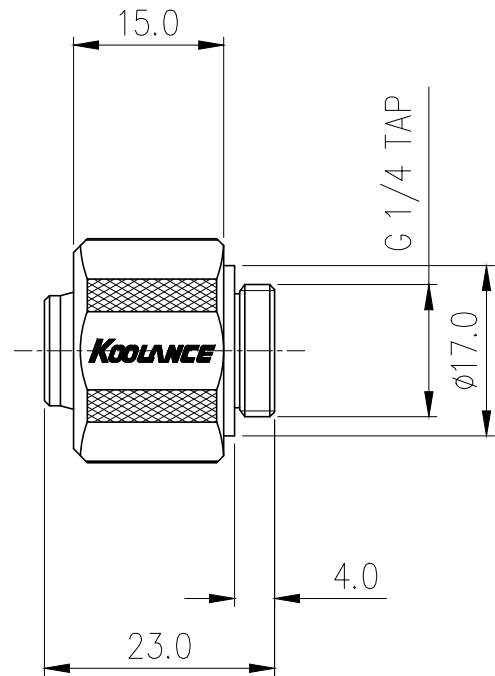
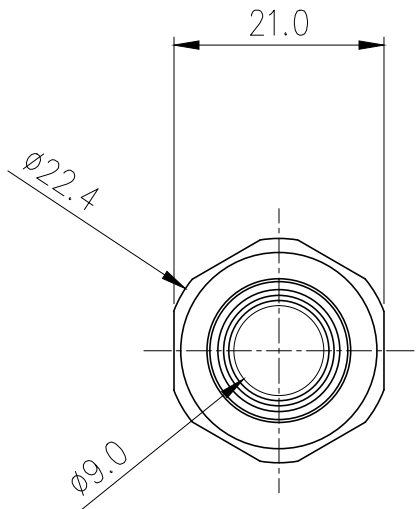


Compression Fitting for 10mm x 13mm (3/8in x 1/2in) *Black*, G 1/4 BSPP



Single fitting for 3/8in (10mm) ID, 1/2in (13mm) OD tubing. G 1/4 BSPP (parallel) thread fitting.

General	
Weight	0.07 lb (0.03 kg)
Materials	Brass, EPDM
Max Pressure Tolerance @ 25 °C	15kgf/cm2 (213.4psi)
Max Temp. Operating Tolerance	120 °C (248 °F)



REV	DATE	CONTENTS	REVD BY	CHKD BY	APPD BY
REVISION					

NO.	DESCRIPTION			MATER'L		QUANTITY	REMARKS
KOOLANCE			UNIT	MM	APPAR FIT-V10X13(-BK)		
DATE	BY	BY	BY	APPRD BY	SCALE	N/S	TITLE
05.01.2014	S.J.LEE				3RD ANGLE		Ass'y
					REF. NO.		DWG. NO.