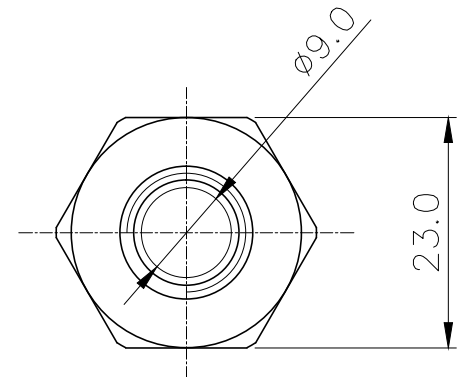
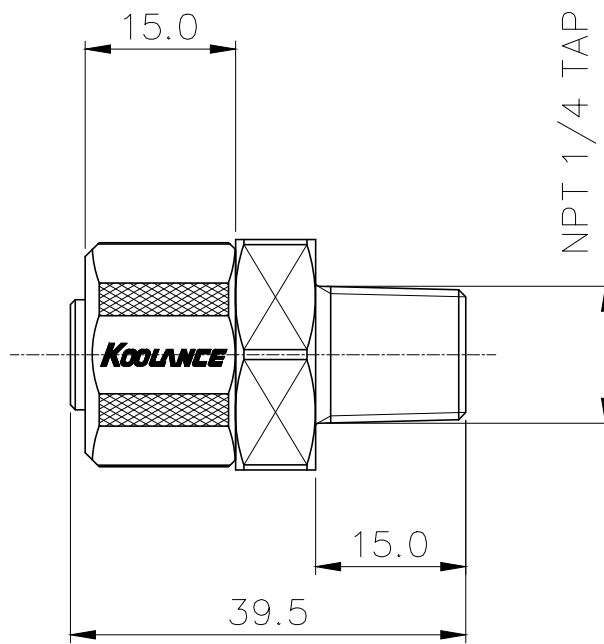
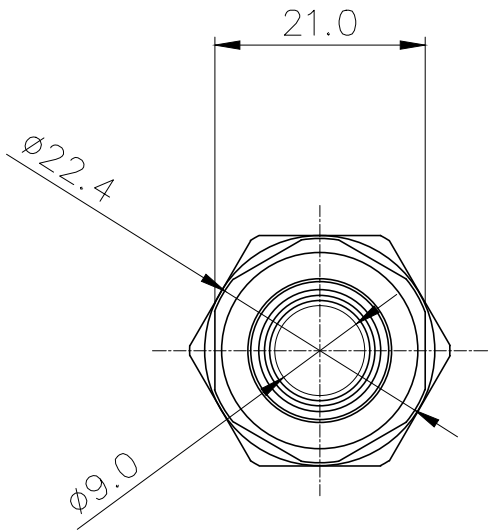


Compression Fitting for 10mm x 13mm (3/8in x 1/2in), 1/4 NPT



Single fitting for 3/8in (10mm) ID, 1/2in (13mm) OD tubing.
1/4 NPT (tapered) thread.

General	
Weight	0.15 lb (0.07 kg)
Materials	Brass, Nickel Plating, EPDM
Max Pressure Tolerance @ 25° C	15kgf/cm2 (213.4psi)
Max Temp. Operating Tolerance	120° C (248° F)



REV	DATE	CONTENTS	REVD BY	CHKD BY	APPD BY
REVISION					

NO.	DESCRIPTION	MATER'L	QUANTITY	REMARKS
KOOLANCE INC.		UNIT	MM	APPAR FIT-V10X13N14
		SCALE	N/S	TITLE
DATE	BY	BY	BY	APPD BY
3RD ANGLE			Ass'y	
REF. NO.				
			DWG. NO.	