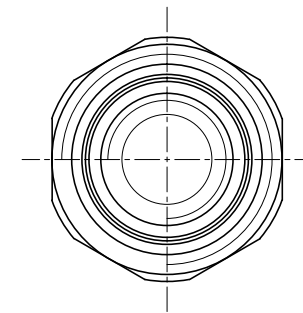
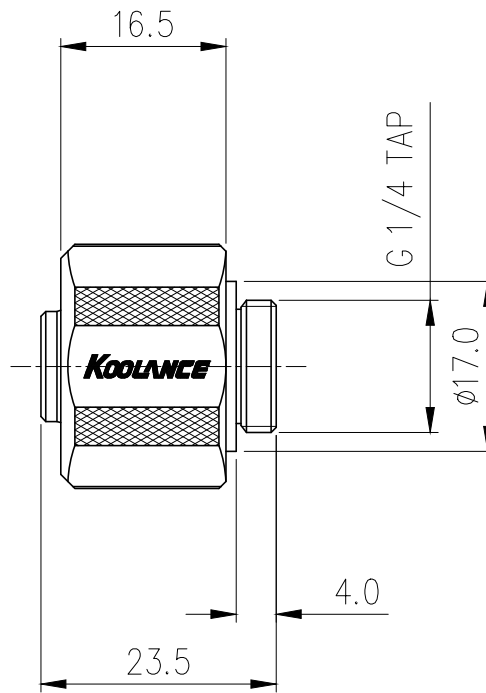
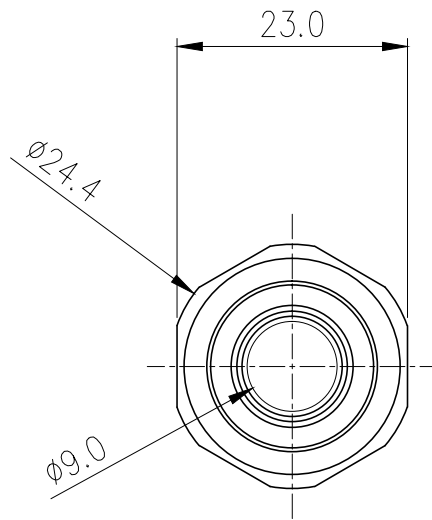


Compression Fitting for 10mm x 16mm (3/8in x 5/8in), G 1/4 BSPP



Single fitting for 3/8in (10mm) ID, 5/8in (16mm) OD tubing. G 1/4 BSPP (parallel) thread fitting.

General	
Weight	0.09 lb (0.04 kg)
Max Pressure Tolerance @ 25° C	15kgf/cm2 (213.4psi)
Max Temperature Tolerance	120° C (248° F)
Wetted Materials	Brass, Nickel Plating, EPDM



REV	DATE	CONTENTS	REVD BY	CHKD BY	APPD BY
REVISION					

NO.	DESCRIPTION			MATER'L		QUANTITY	REMARKS
Koolance Inc.			UNIT	MM	APPAR FIT-V10X16(-BK)		
DATE	BY	BY	BY	APPRD BY	SCALE	N/S	TITLE
05.01.2014	S.J.LEE				3RD ANGLE		Ass'y
					REF. NO.		DWG. NO.