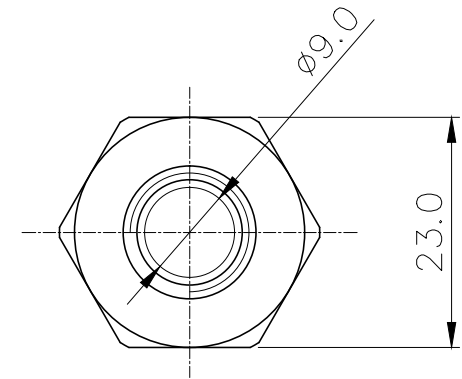
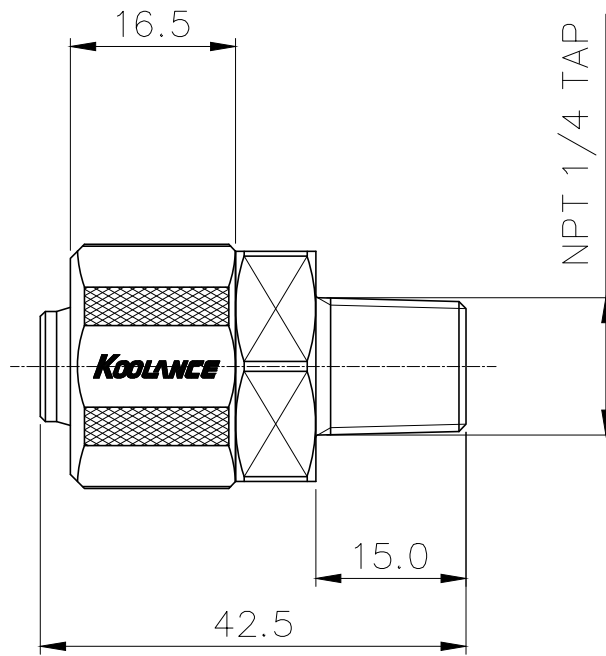
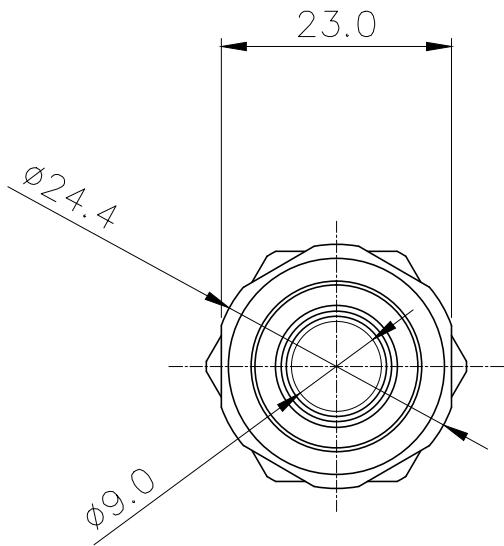


Compression Fitting for 10mm x 16mm (3/8in x 5/8in), 1/4 NPT



Single fitting for 3/8in (10mm) ID, 5/8in (16mm) OD tubing.
1/4 NPT (tapered) thread.

General	
Weight	0.15 lb (0.07 kg)
Max Pressure Tolerance @ 25° C	15kgf/cm2 (213.4psi)
Max Temperature Tolerance	120° C (248° F)
Wetted Materials	Brass, Nickel Plating, EPDM



REV	DATE	CONTENTS	REVD BY	CHKD BY	APPD BY
REVISION					

NO.	DESCRIPTION			MATER'L	QUANTITY	REMARKS
	KOOLANCE <small>INC.</small>			UNIT	MM	APPAR FIT-V10X16N14
				SCALE	N/S	TITLE
DATE	BY	BY	BY	APPRD BY	3RD ANGLE	
	S.J.LEE				REF. NO.	DWG. NO.