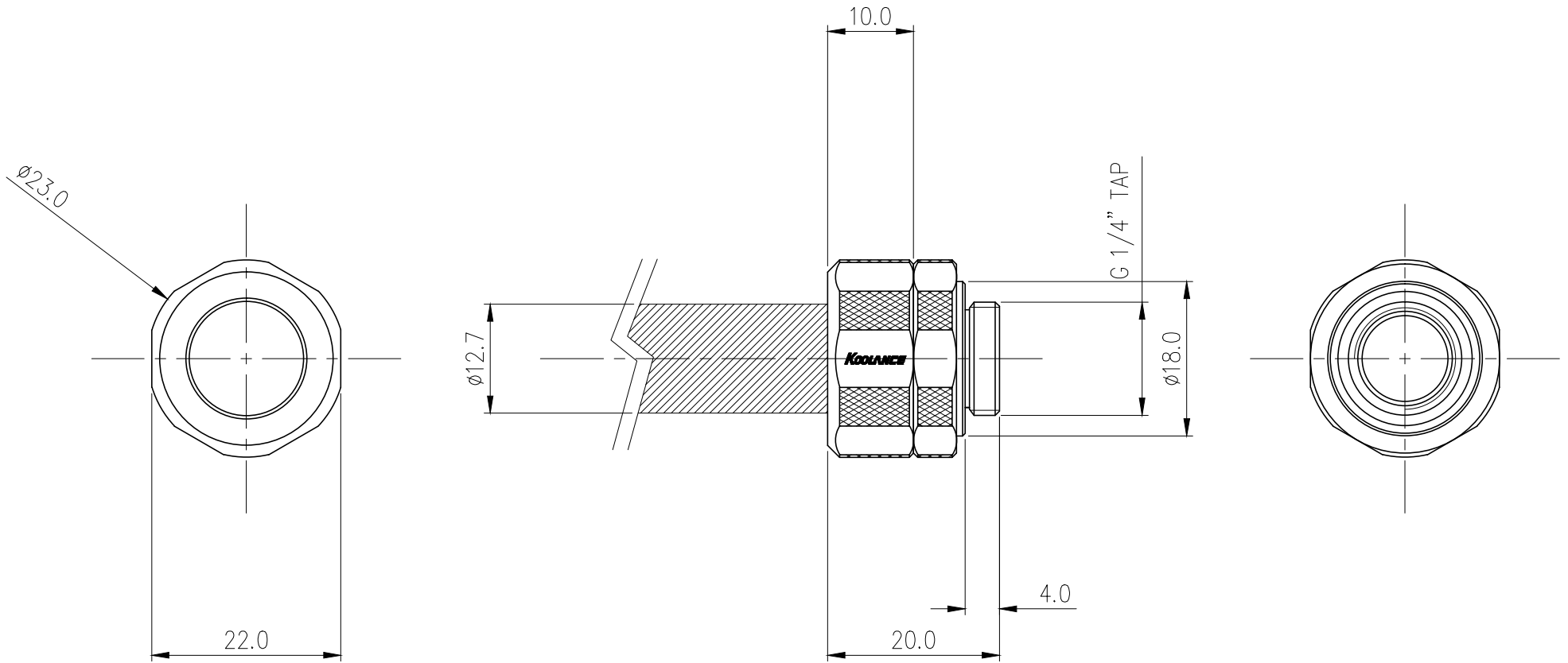


**Compression Fitting for OD 13mm (1/2in) Rigid
Tubing *Black*, G 1/4 BSPP**

Single fitting for 13mm (1/2in) OD rigid plastic tubing. Triple internal o-ring design for superior sealing. Accepts tube outer diameters of 12.3-13.1mm. G 1/4 BSPP (parallel) thread fitting.

General	
Weight	0.09 lb (0.04 kg)
Wetted Materials	Brass, EPDM



NO.	DESCRIPTION				MATER'L		QUANTITY	REMARKS
					UNIT	MM		
	Koolance				SCALE	N/S	APPAR	FIT-V13RT(-BK)
DATE					BY	BY	BY	APPRO
	S.J.LEE					3RD ANGLE	TITLE	
						CODE NO.	DWG. NO.	