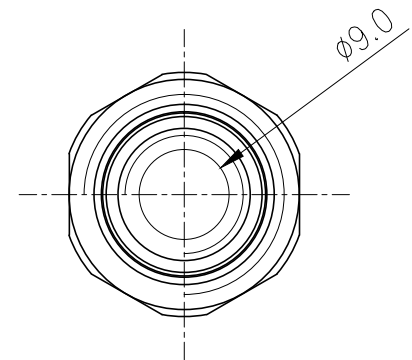
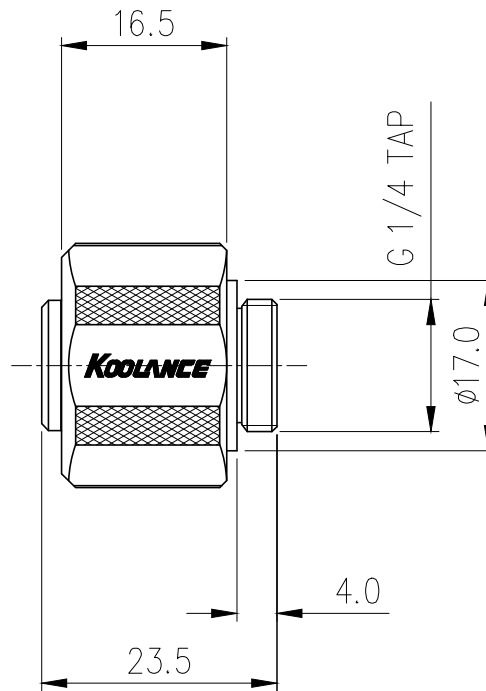
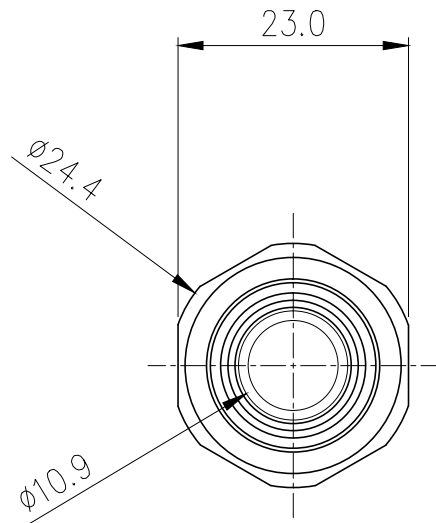


Compression Fitting for 13mm x 16mm (1/2in x 5/8in) *Black*, G 1/4 BSPP

Single fitting for 1/2in (13mm) ID, 5/8in (16mm) OD tubing. G 1/4 BSPP (parallel) thread fitting.

General	
Weight	0.09 lb (0.04 kg)
Max Pressure Tolerance @ 25 °C	15kgf/cm2 (213.4psi)
Max Temperature Tolerance	120 °C (248 °F)
Wetted Materials	Brass, EPDM



REV	DATE	CONTENTS	REVD BY	CHKD BY	APPD BY
REVISION					

NO.	DESCRIPTION			MATER'L		QUANTITY	REMARKS
	KOOLANCE <small>INC.</small>			UNIT	MM	APPAR FIT-V13X16(-BK)	
				SCALE	N/S	TITLE	
DATE	BY	BY	BY	APPRD BY	BY	Ass'y	
05.01.2014	S.J.LEE					REF. NO.	DWG. NO.