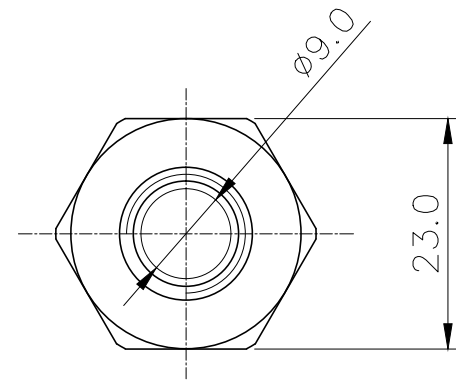
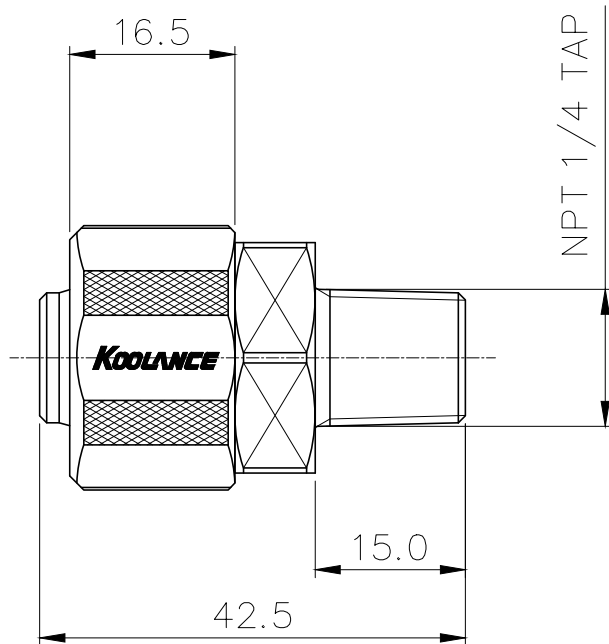
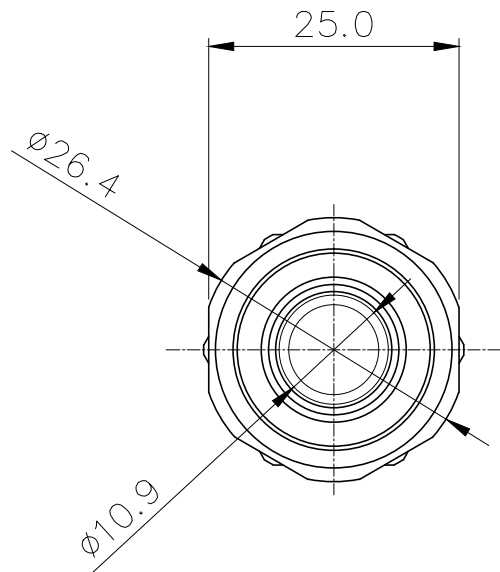


Compression Fitting for 13mm x 19mm (1/2in x 3/4in), 1/4 NPT



Single fitting for 1/2in (13mm) ID, 3/4in (19mm) OD tubing.
1/4 NPT (tapered) thread.

General	
Weight	0.15 lb (0.07 kg)
Max Pressure Tolerance @ 25° C	15kgf/cm2 (213.4psi)
Max Temperature Tolerance	120° C (248° F)
Wetted Materials	Brass, Nickel Plating, EPDM



REV	DATE	CONTENTS	REVD BY	CHKD BY	APPD BY
REVISION					

NO.	DESCRIPTION	MATER'L	QUANTITY	REMARKS
KOOLANCE <small>INC.</small>		UNIT	MM	APPAR FIT-V13X19N14
		SCALE	N/S	TITLE
DATE	BY	BY	BY	APPD BY
	S.J.LEE			
3RD ANGLE				Ass'y
REF. NO.			DWG. NO.	