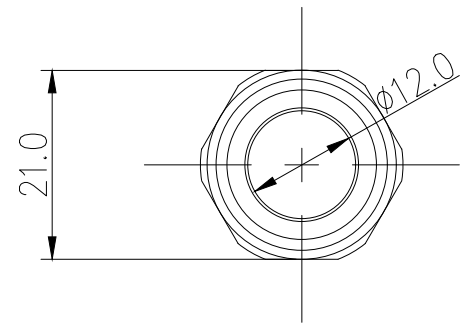
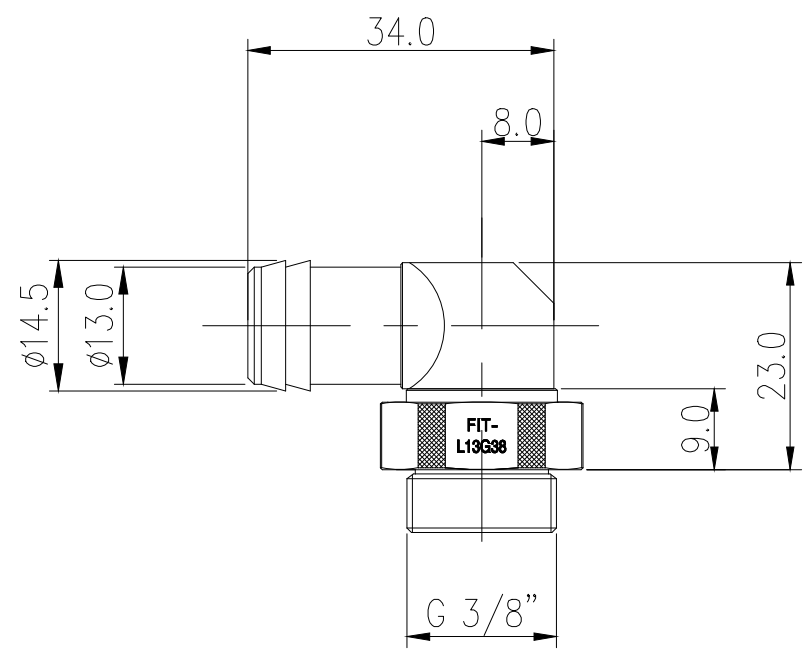
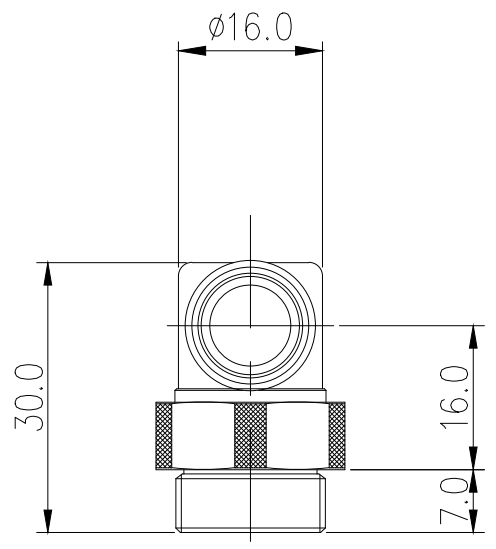


Rotary Elbow Barb Fitting for 1/2in (13mm) ID,
G 3/8 BSPP



Single rotational angled fitting for 1/2in (13mm) ID tubing. G 3/8 BSPP (parallel) thread. Tube clamp for 5/8in (16mm) OD included.

General	
Weight	0.13 lb (0.06 kg)
Max Pressure Tolerance @ 25° C	8kgf/cm2 (113.8psi)
Max Temperature Tolerance	100° C (212° F)
Wetted Materials	Brass, Nickel Plating, EPDM



NO.	DESCRIPTION				MATER'L		QUANTITY	REMARKS
	KOOLANCE				UNIT	MM	APPAR	FIT-L13G38
					SCALE	N/S	TITLE	Ass'y
DATE	BY	BY	BY	APPRD BY	3RD ANGLE			
	SK.AN				CODE NO.	DWG. NO.		