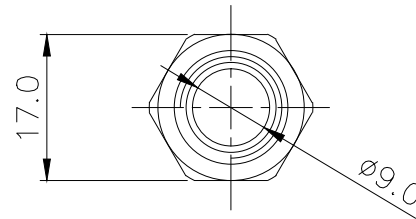
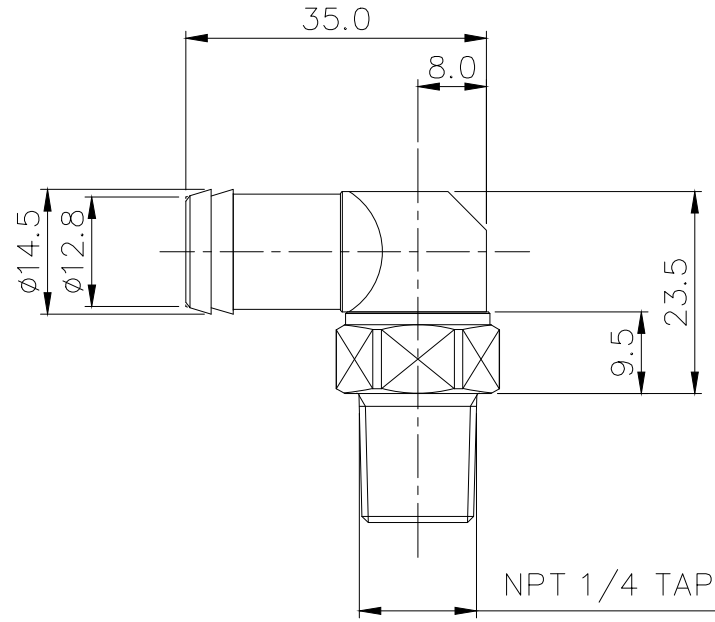
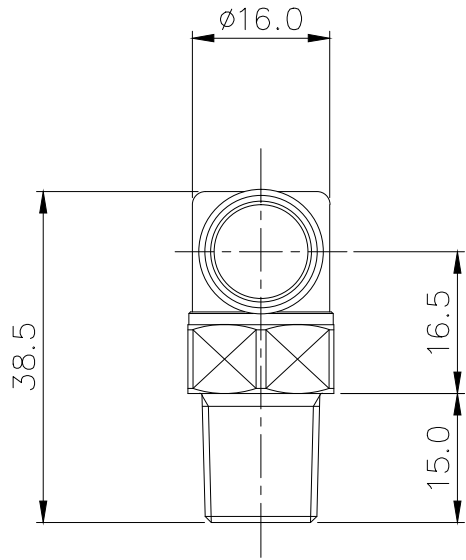


Rotary Elbow Barb Fitting for 13mm (1/2in) ID, 1/4 NPT



Single rotational angled fitting for 1/2in (13mm) ID tubing. 1/4 NPT (tapered) thread. Tube clamp for 5/8in (16mm) OD included.

General	
Weight	0.13 lb (0.06 kg)
Max Pressure Tolerance @ 25° C	8kgf/cm2 (113.8psi)
Max Temperature Tolerance	100° C (212° F)
Wetted Materials	Brass, Nickel Plating, EPDM



NO.	DESCRIPTION	MATER'L		QUANTITY	REMARKS
	KOOLANCE	UNIT	MM	APPAR	FIT-L13N14
		SCALE	N/S	TITLE	
DATE	BY	BY	BY	APPRO	BY
JUN.02.2021	S.J.LEE			3RD ANGLE	
				CODE NO.	DWG. NO.
					Ass'y