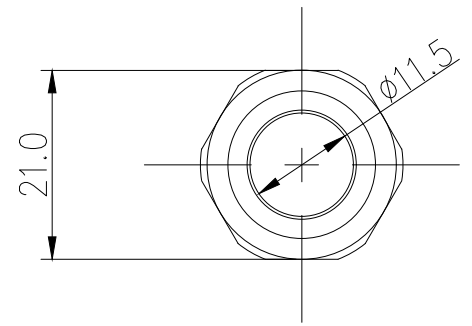
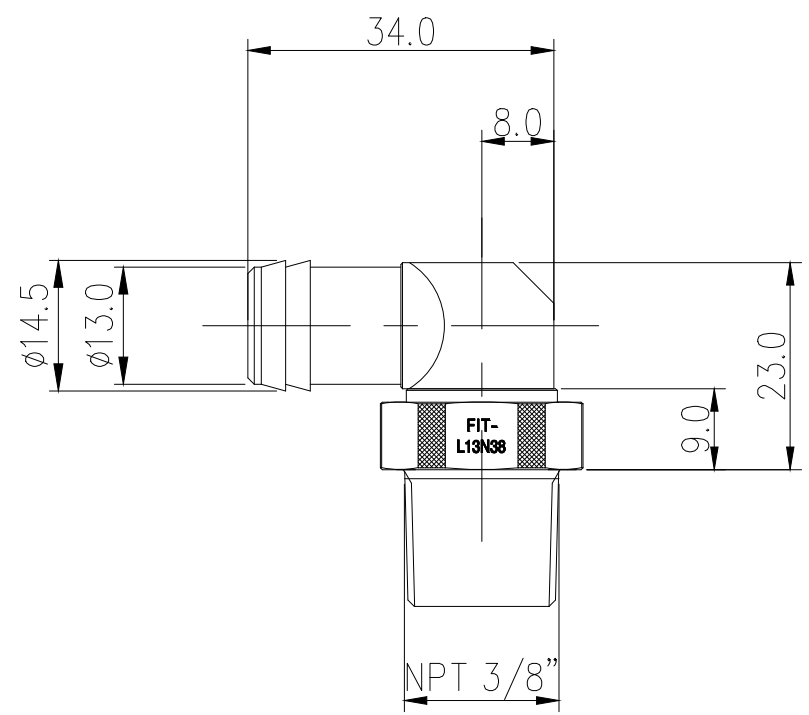
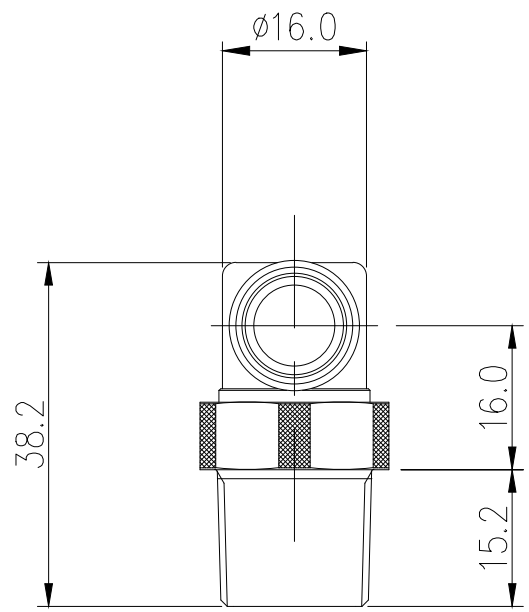


Rotary Elbow Barb Fitting for 13mm (1/2in) ID,
3/8 NPT



Single rotational angled fitting for 1/2in (13mm) ID tubing. 3/8 NPT (tapered) thread. Tube clamp for 5/8in (16mm) OD included.

General	
Weight	0.13 lb (0.06 kg)
Max Pressure Tolerance @ 25° C	8kgf/cm ² (113.8psi)
Max Temperature Tolerance	100° C (212° F)
Wetted Materials	Brass, Nickel Plating, EPDM



NO.	DESCRIPTION				MATER'L		QUANTITY	REMARKS
					UNIT	MM		
					SCALE	N/S	APPAR	FIT-L13N38
DATE					BY	BY	BY	APPROD BY
	SK.AN				CODE NO.	DWG. NO.		