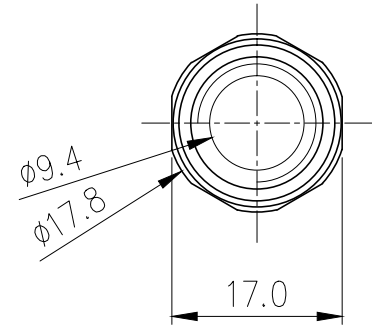
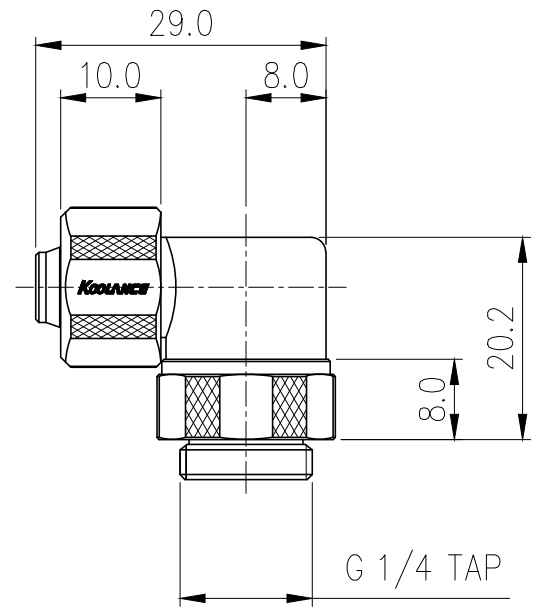
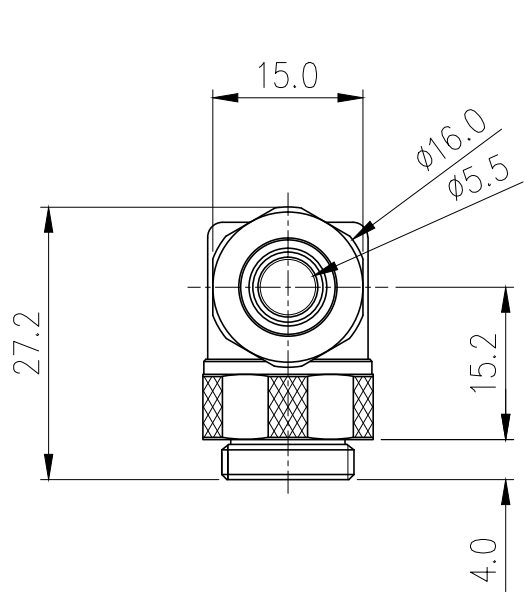


**Rotary Elbow Compression Fitting for 06mm x 10mm (1/4in x 3/8in), G 1/4 BSPP**



Single rotational angled fitting for 1/4in (6mm) ID, 3/8in (10mm) OD tubing. G 1/4 BSPP (parallel) thread. Nickel-plated brass with compression fitting and gasket.

General	
Weight	0.09 lb (0.04 kg)
Materials	Brass, Nickel Plating, EPDM
Max Pressure Tolerance @ 25°C	8kgf/cm2 (113.8psi)
Max Temp. Operating Tolerance	100°C (212°F)



△					
△					
REV	DATE	CONTENTS	REVD BY	CHKD BY	APPD BY
REVISION					

NO.	DESCRIPTION			MATER'L		QUANTITY	REMARKS
	<b>Koolance Inc.</b>			UNIT	MM	APPAR FIT-L06X10(-BK)	
				SCALE	N/S	Ass'y	
DATE	BY	BY	BY	APPRD BY	3RD ANGLE		
04.30.2014	S.J.LEE				REF. NO.	DWG. NO.	