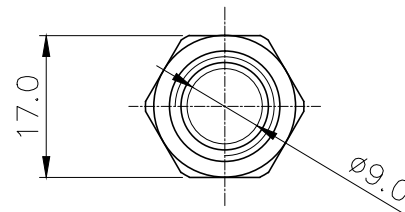
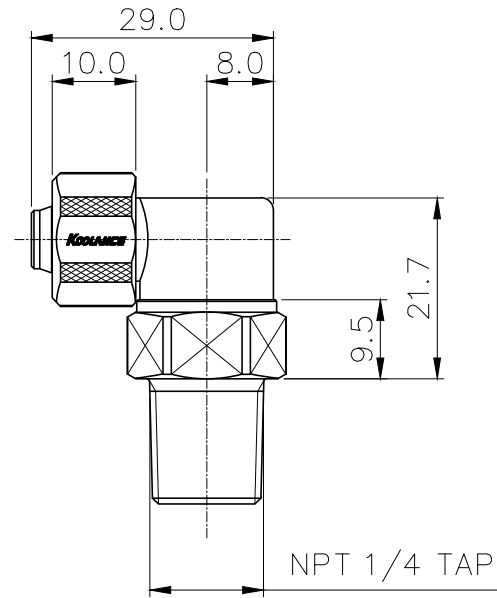
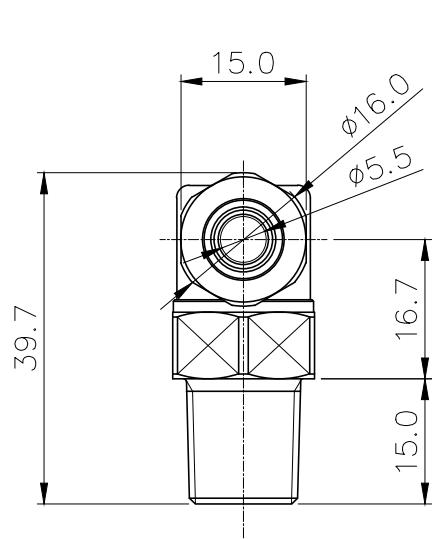


Rotary Elbow Compression Fitting for 06mm x 10mm (1/4in x 3/8in), 1/4 NPT



Single rotational angled fitting for 1/4in (6mm) ID, 3/8in (10mm) OD tubing. 1/4 NPT (tapered) thread.

| General | |
|--------------------------------|-----------------------------|
| Weight | 0.09 lb (0.04 kg) |
| Max Pressure Tolerance @ 25° C | 8kgf/cm2 (113.8psi) |
| Max Temperature Tolerance | 100° C (212° F) |
| Wetted Materials | Brass, Nickel Plating, EPDM |



| REV | DATE | CONTENTS | REVD BY | CHKD BY | APPD BY |
|----------|------|----------|---------|---------|---------|
| | | | | | |
| REVISION | | | | | |

| NO. | DESCRIPTION | | | MATER'L | QUANTITY | REMARKS |
|----------------------|-------------|--|--|-----------|----------|---------------------|
| KOOLANCE INC. | | | | UNIT | MM | APPAR FIT-L06X10N14 |
| DATE | | | | SCALE | N/S | TITLE |
| BY | | | | 3RD ANGLE | | Ass'y |
| S.J.LEE | | | | REF. NO. | | |
| | | | | | | DWG. NO. |