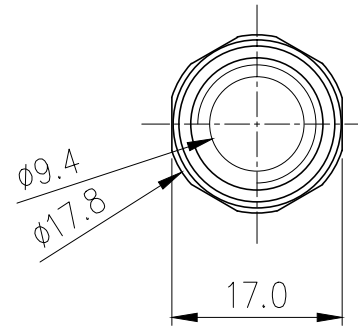
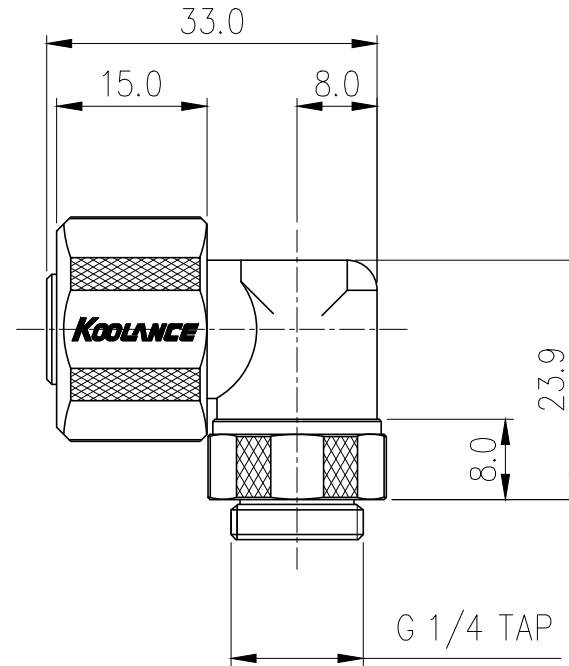
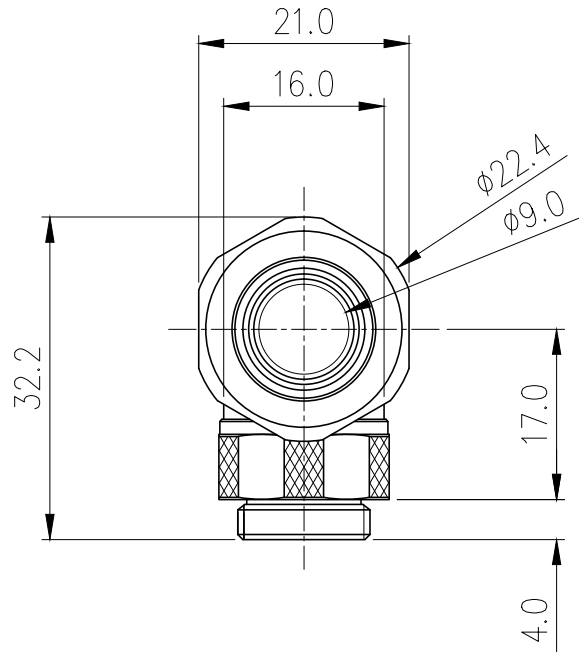


**Rotary Elbow Compression Fitting for 10mm x
13mm (3/8in x 1/2in) *Black*, G 1/4 BSPP**



Single rotational angled fitting for 3/8in (10mm) ID, 1/2in (13mm) OD tubing. G 1/4 BSPP (parallel) thread.

| General | |
|-------------------------------|---------------------|
| Weight | 0.11 lb (0.05 kg) |
| Materials | Brass, EPDM |
| Max Pressure Tolerance @ 25°C | 8kgf/cm2 (113.8psi) |
| Max Temp. Operating Tolerance | 100°C (212°F) |



| △ | | | | | |
|----------|------|----------|---------|---------|---------|
| △ | | | | | |
| REV | DATE | CONTENTS | REVD BY | CHKD BY | APPD BY |
| REVISION | | | | | |

| NO. | DESCRIPTION | | | MATER'L | | QUANTITY | REMARKS |
|------------|----------------------|----|----|-----------|----------|----------|-----------------|
| | Koolance Inc. | | | UNIT | MM | APPAR | FIT-L10X13(-BK) |
| | | | | SCALE | N/S | Ass'y | |
| | | | | 3RD ANGLE | | | |
| DATE | BY | BY | BY | APPRD BY | REF. NO. | DWG. NO. | |
| 04.30.2014 | S.J.LEE | | | | | | |