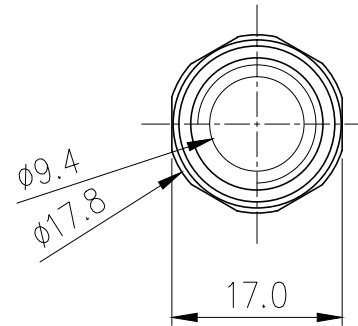
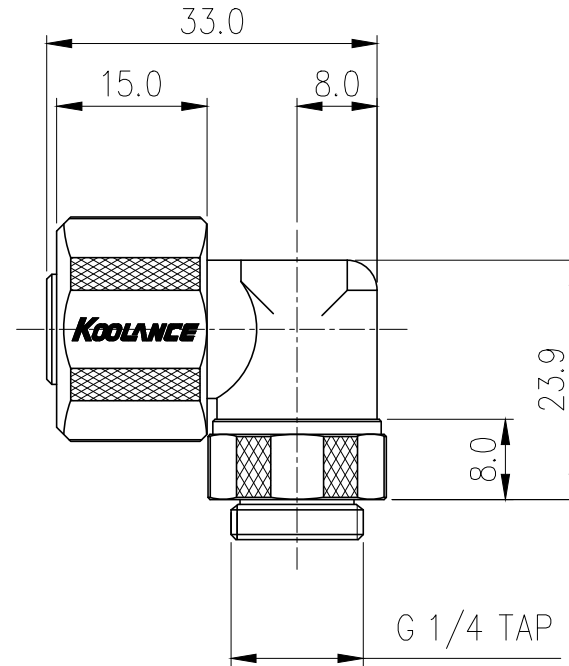
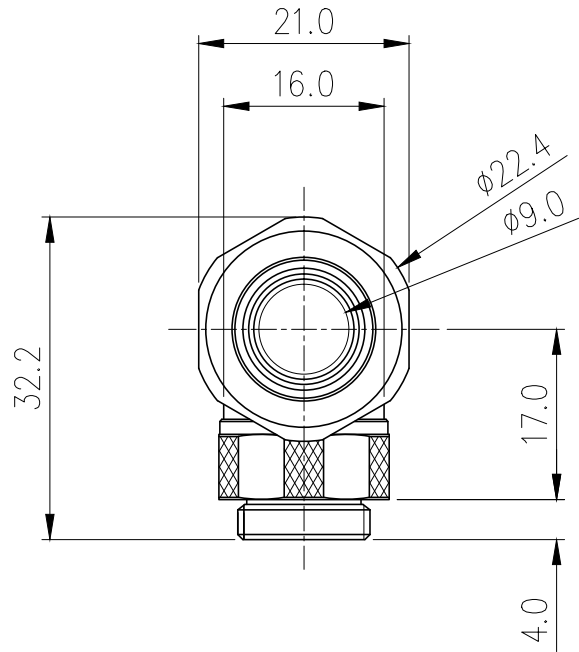


Rotary Elbow Compression Fitting for 10mm x
13mm (3/8in x 1/2in), G 1/4 BSPP



Single rotational angled fitting for 3/8in (10mm) ID, 1/2in (13mm) OD tubing. G 1/4 BSPP (parallel) thread.

General	
Weight	0.11 lb (0.05 kg)
Max Pressure Tolerance @ 25° C	8kgf/cm2 (113.8psi)
Max Temperature Tolerance	100° C (212° F)
Wetted Materials	Brass, Nickel Plating, EPDM



REV	DATE	CONTENTS	REVD BY	CHKD BY	APPD BY
REVISION					

NO.	DESCRIPTION			MATER'L		QUANTITY	REMARKS
	KOOLANCE <small>INC.</small>			UNIT	MM	APPAR FIT-L10X13(-BK)	
				SCALE	N/S	TITLE	
	DATE	BY	BY	BY	APPRD BY	3RD ANGLE	
	04.30.2014	S.J.LEE				REF. NO.	DWG. NO.
						Ass'y	