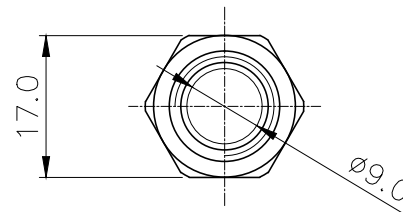
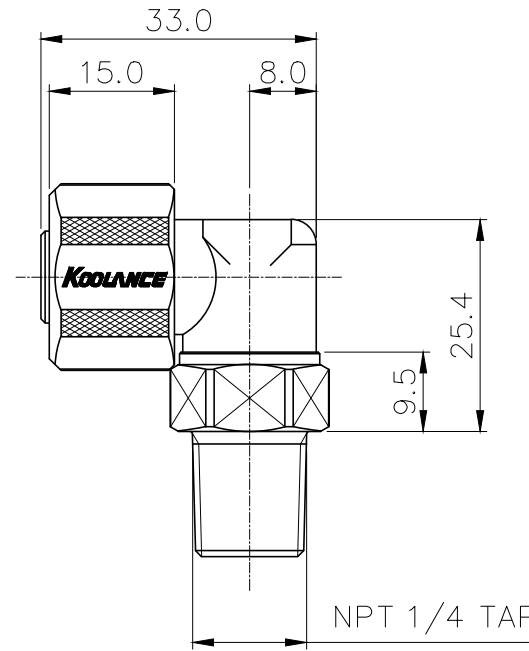
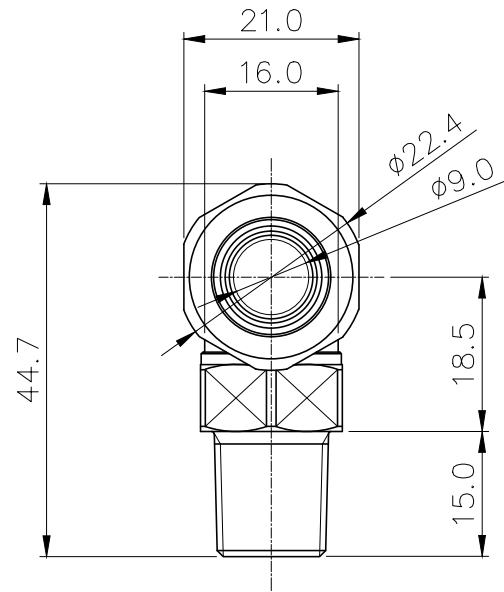


Rotary Elbow Compression Fitting for 10mm x
13mm (3/8in x 1/2in), 1/4 NPT



Single rotational angled fitting for 3/8in (10mm) ID, 1/2in (13mm) OD tubing. 1/4 NPT (tapered) thread.

General	
Weight	0.11 lb (0.05 kg)
Materials	Brass, Nickel Plating, EPDM
Max Pressure Tolerance @ 25° C	8kgf/cm2 (113.8psi)
Max Temp. Operating Tolerance	100° C (212° F)



REV	DATE	CONTENTS	REVD BY	CHKD BY	APPD BY
REVISION					

NO.	DESCRIPTION			MATER'L	QUANTITY	REMARKS
Koolance Inc.				UNIT	MM	APPAR FIT-L10X13N14
DATE	BY	BY	BY	SCALE	N/S	TITLE
						Ass'y
	S.J.LEE			3RD ANGLE		
				REF. NO.		DWG. NO.