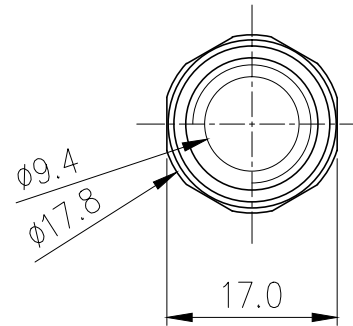
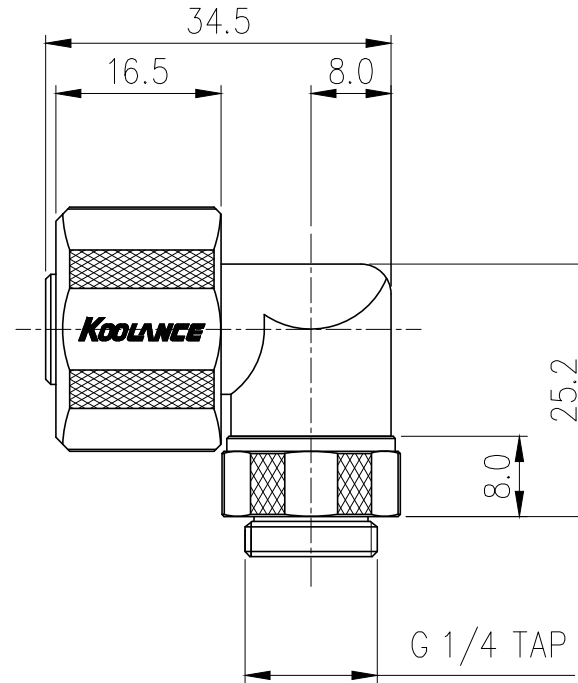
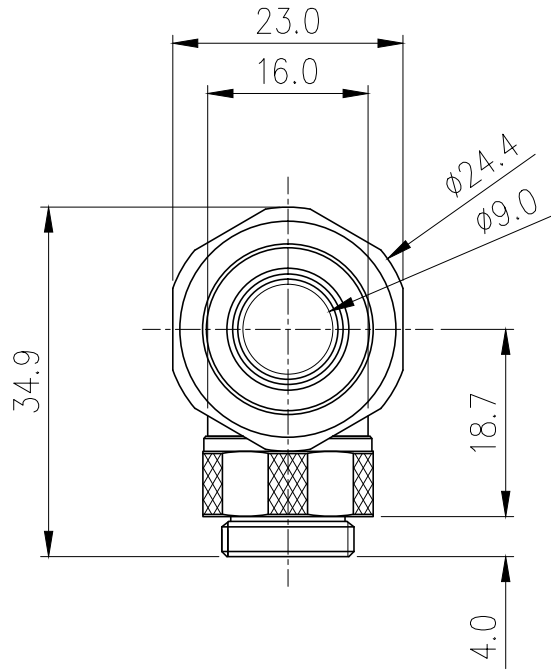


**Rotary Elbow Compression Fitting for 10mm x
16mm (3/8in x 5/8in), G 1/4 BSPP**



Single rotational angled fitting for 3/8in (10mm) ID, 5/8in (16mm) OD tubing. G 1/4 BSPP (parallel) thread.

General	
Weight	0.14 lb (0.06 kg)
Materials	Brass, Nickel Plating, EPDM
Max Pressure Tolerance @ 25° C	8kgf/cm2 (113.8psi)
Max Temp. Operating Tolerance	100° C (212° F)



△					
△					
REV	DATE	CONTENTS	REVD BY	CHKD BY	APPD BY
REVISION					

NO.	DESCRIPTION			MATER'L	QUANTITY	REMARKS
Koolance Inc.		UNIT	MM	APPAR FIT-L10X16(-BK)		
		SCALE	N/S	TITLE		
DATE	BY	BY	BY	APPRD BY	3RD ANGLE	
04.30.2014	S.J.LEE				REF. NO.	DWG. NO.
					Ass'y	