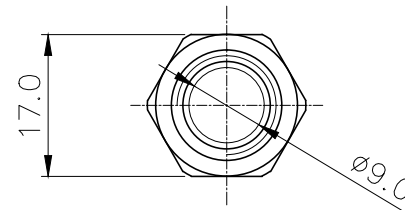
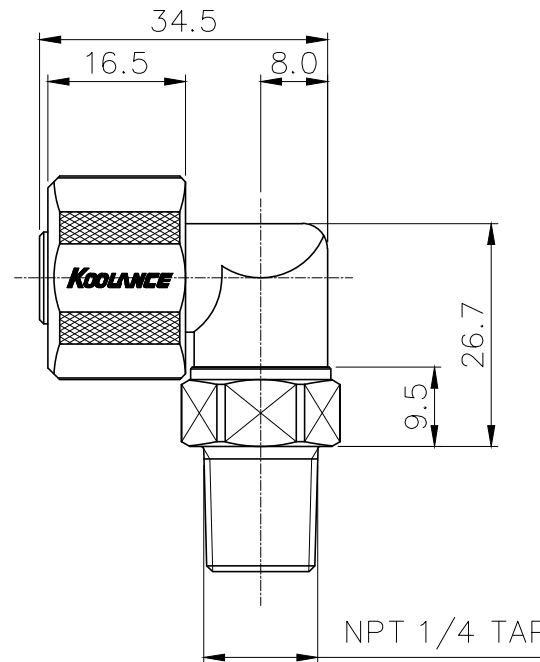
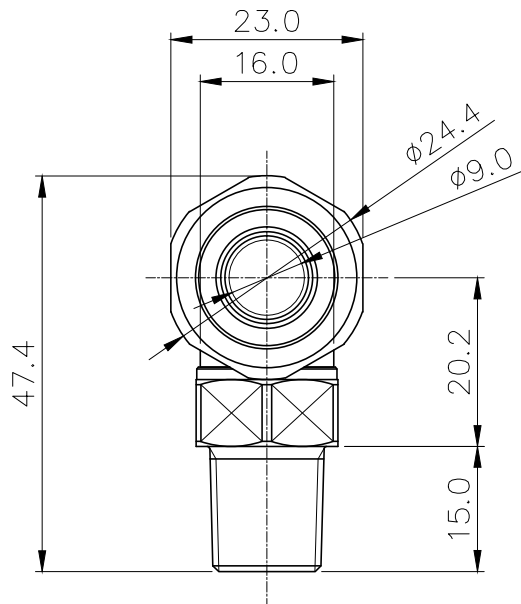


## Rotary Elbow Compression Fitting for 10mm x 16mm (3/8in x 5/8in), 1/4 NPT



Single rotational angled fitting for 3/8in (10mm) ID, 5/8in (16mm) OD tubing. 1/4 NPT (tapered) thread.

General	
Weight	0.14 lb (0.06 kg)
Max Pressure Tolerance @ 25° C	8kgf/cm2 (113.8psi)
Max Temperature Tolerance	100° C (212° F)
Wetted Materials	Brass, Nickel Plating, EPDM



REV	DATE	CONTENTS	REVD BY	CHKD BY	APPD BY
REVISION					

NO.	DESCRIPTION	MATER'L	QUANTITY	REMARKS
<b>KOOLANCE</b> <small>INC.</small>		UNIT	MM	APPAR FIT-L10X16N14
		SCALE	N/S	TITLE
DATE	BY	BY	BY	APPD BY
	S.J.LEE			
3RD ANGLE				Ass'y
REF. NO.				DWG. NO.