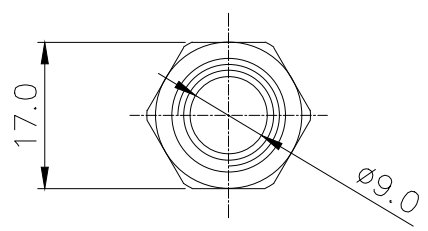
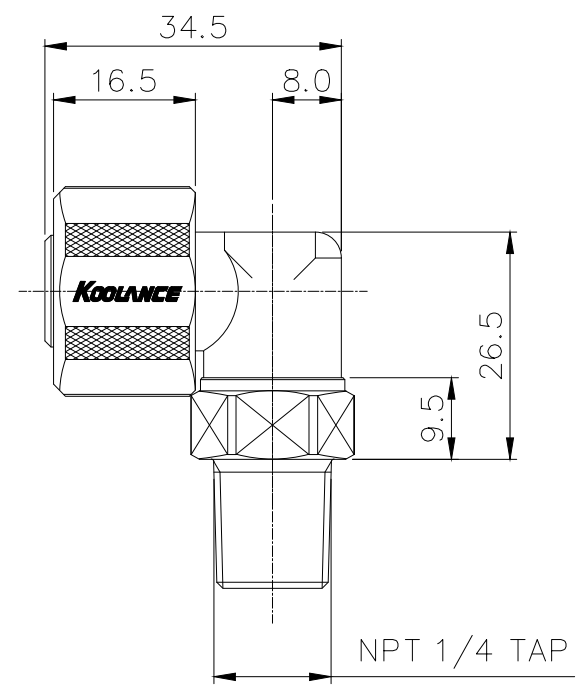
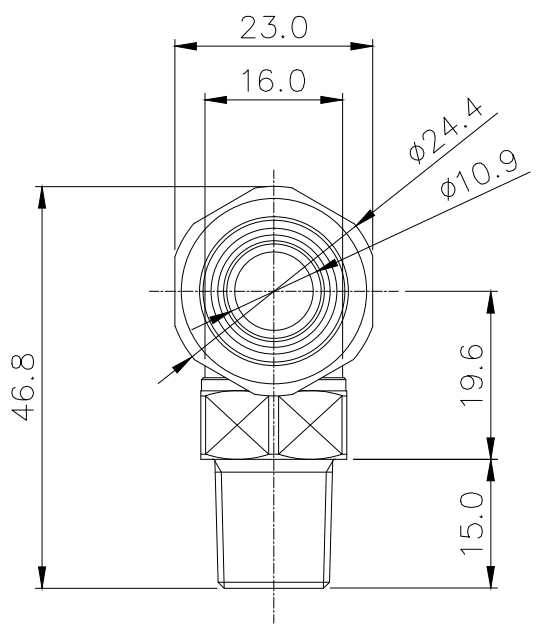


## Rotary Elbow Compression Fitting for 13mm x 16mm (1/2in x 5/8in), 1/4 NPT



Single rotational angled fitting for 1/2in (13mm) ID, 5/8in (16mm) OD tubing. G 1/4 BSPP (parallel) thread.

General	
Weight	0.13 lb (0.06 kg)
Max Pressure Tolerance @ 25° C	8kgf/cm2 (113.8psi)
Max Temperature Tolerance	100° C (212° F)
Wetted Materials	Brass, Nickel Plating, EPDM



REV	DATE	CONTENTS	REVD BY	CHKD BY	APPD BY
REVISION					

NO.	DESCRIPTION	MATER'L	QUANTITY	REMARKS
<b>KOOLANCE</b>		UNIT	MM	APPAR FIT-L13X16N14
		SCALE	N/S	TITLE
		3RD ANGLE		Ass'y
		REF. NO.	DWG. NO.	
DATE	BY	BY	BY	BY
	S.J.LEE			