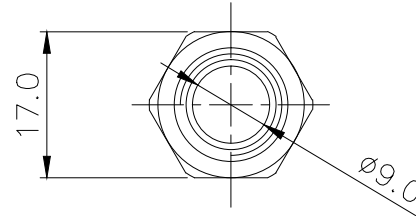
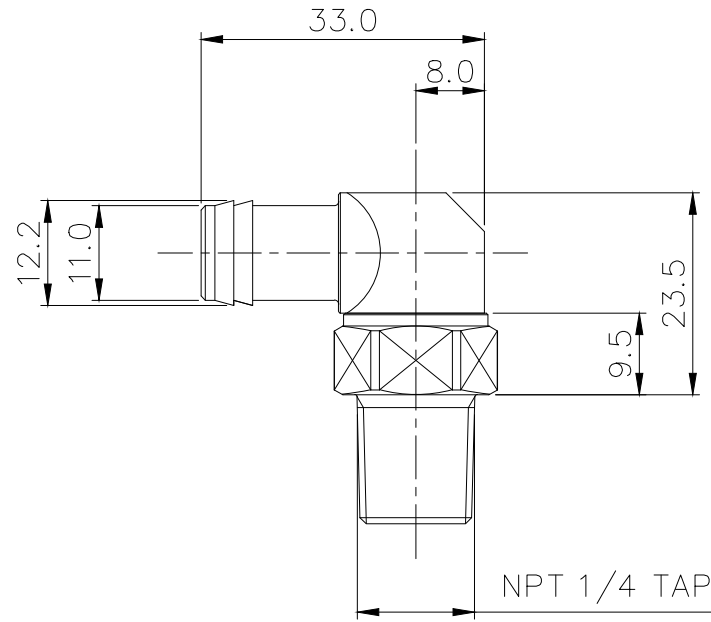
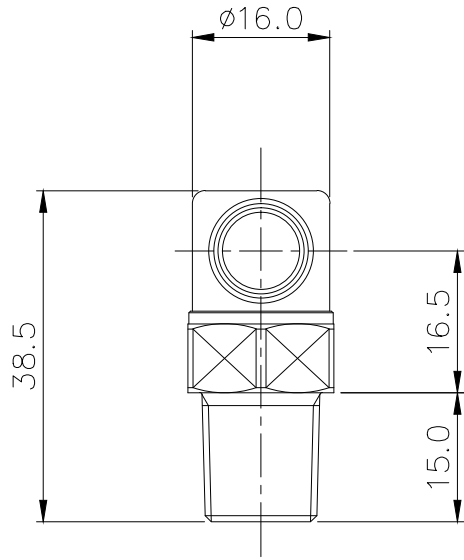


Rotary Elbow Barb Fitting for 10mm (3/8in) ID,  
1/4 NPT



Single rotational angled fitting for 3/8in (10mm) ID tubing. 1/4 NPT (tapered) thread. Tube clamp for 1/2in (13mm) OD included.

General	
Weight	0.12 lb (0.05 kg)
Max Pressure Tolerance @ 25° C	8kgf/cm2 (113.8psi)
Max Temperature Tolerance	100° C (212° F)
Wetted Materials	Brass, Nickel Plating, EPDM



NO.	DESCRIPTION	MATER'L	QUANTITY	REMARKS
	<b>KOOLANCE</b>	UNIT	MM	APPAR FIT-L10N14
		SCALE	N/S	TITLE
	BY	BY	BY	BY
DATE	3RD ANGLE			
JUN.02.2021	S.J.LEE			
			CODE NO.	DWG. NO.

Ass'y