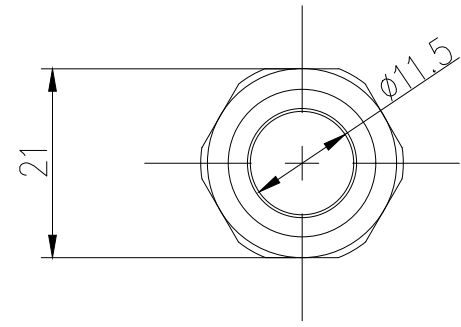
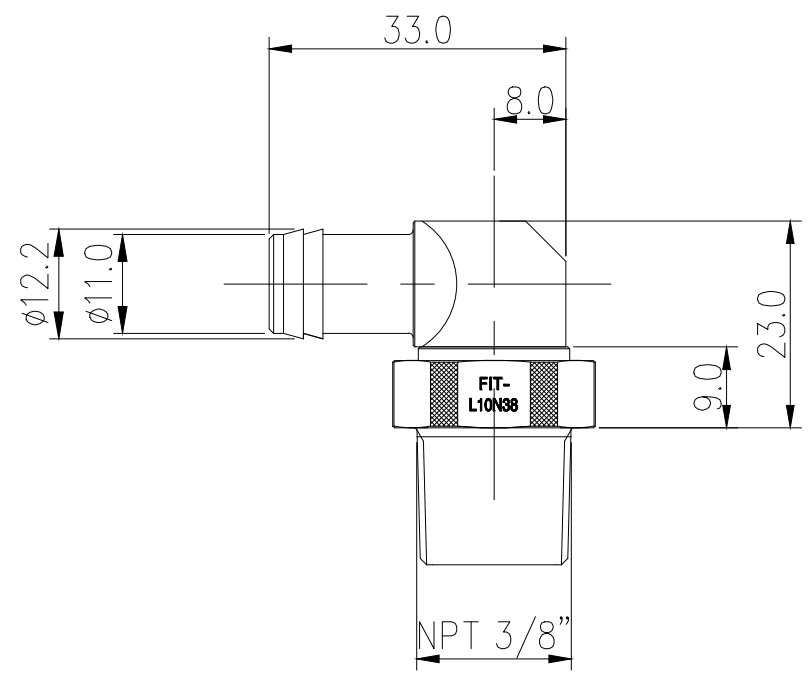
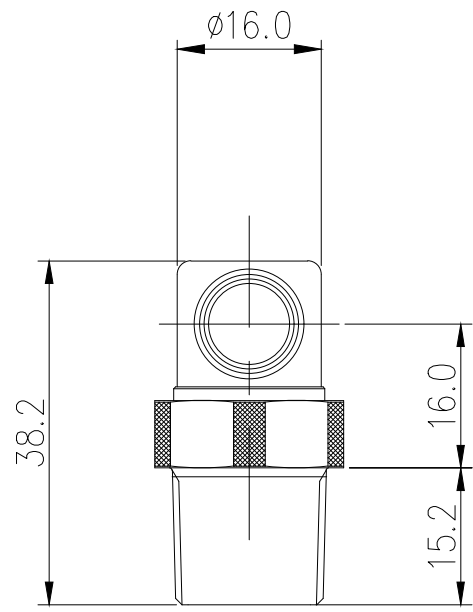


Rotary Elbow Barb Fitting for 10mm (3/8in) ID,
3/8 NPT



Single rotational angled fitting for 3/8in (10mm) ID tubing. 3/8 NPT (tapered) thread. Tube clamp for 1/2in (13mm) OD included.

General	
Weight	0.13 lb (0.06 kg)
Max Pressure Tolerance @ 25° C	8kgf/cm2 (113.8psi)
Max Temperature Tolerance	100° C (212° F)
Wetted Materials	Brass, Nickel Plating, EPDM



NO.	DESCRIPTION				MATER'L		QUANTITY	REMARKS
					UNIT	MM		
	KOOLANCE				SCALE	N/S	APPAR	FIT-L10N38
DATE					BY	BY	BY	APPRD BY
	SK.AN				CODE NO.	DWG. NO.		