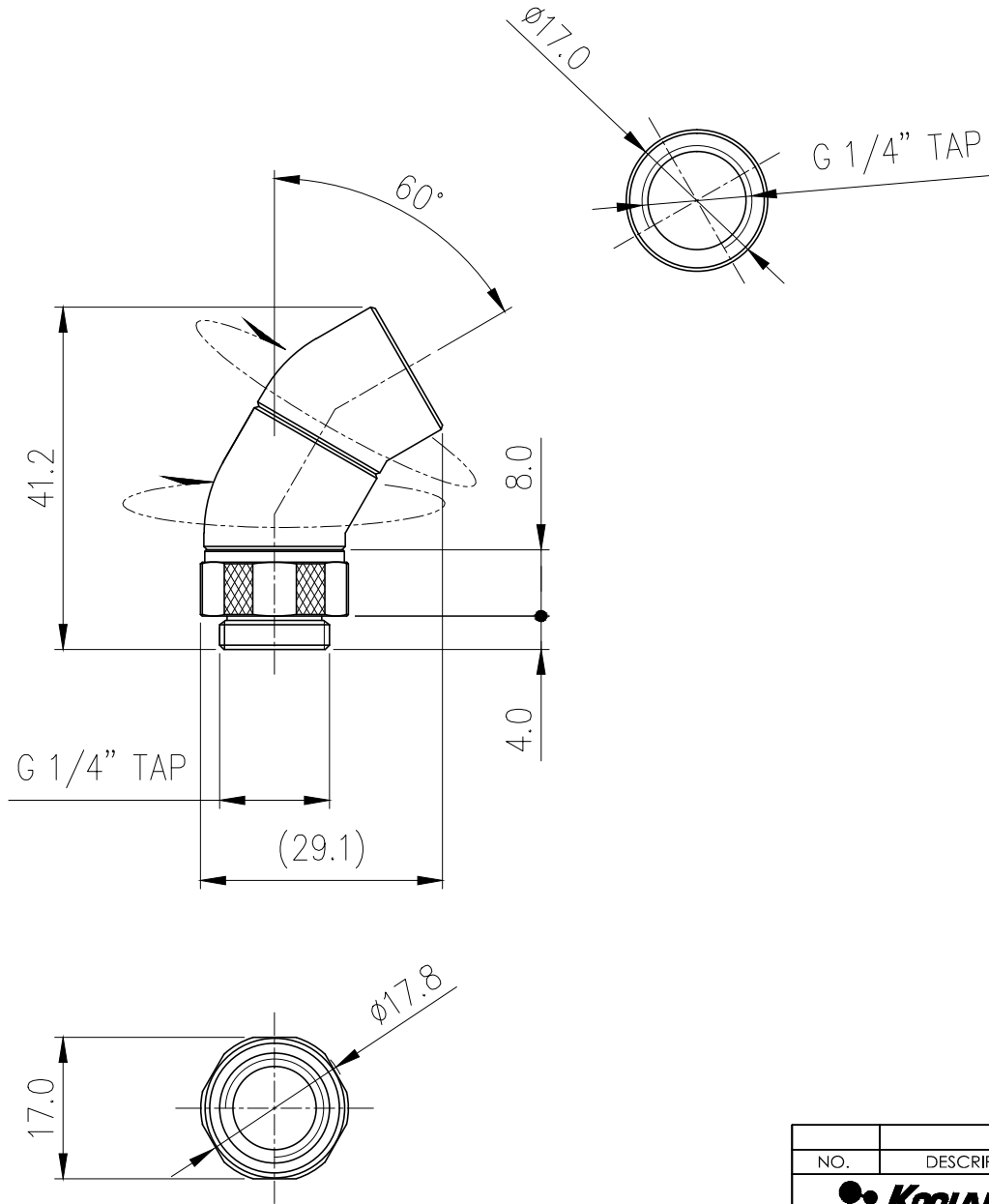




Koolance swiveling G 1/4 BSPP socket fitting. Each segment rotates for a maximum 60-degree bend.

General	
Weight	0.09 lb (0.04 kg)
Fitting Thread	G 1/4 BSPP
Max Pressure Tolerance @ 25° C	8kgf/cm2 (113.8psi)
Max Temperature Tolerance	100° C (212° F)
Wetted Materials	Brass, Nickel Plating, EPDM



NO.	DESCRIPTION	MATER'L	QUANTITY	REMARKS
	KOOLANCE	UNIT	MM	APPAR ADT-DXG60
		SCALE	N/S	TITLE
DATE	BY	BY	APPRO BY	3RD ANGLE
04/06/2017	S.JLEE			CODE NO.
				DWG. NO.

Ass'y