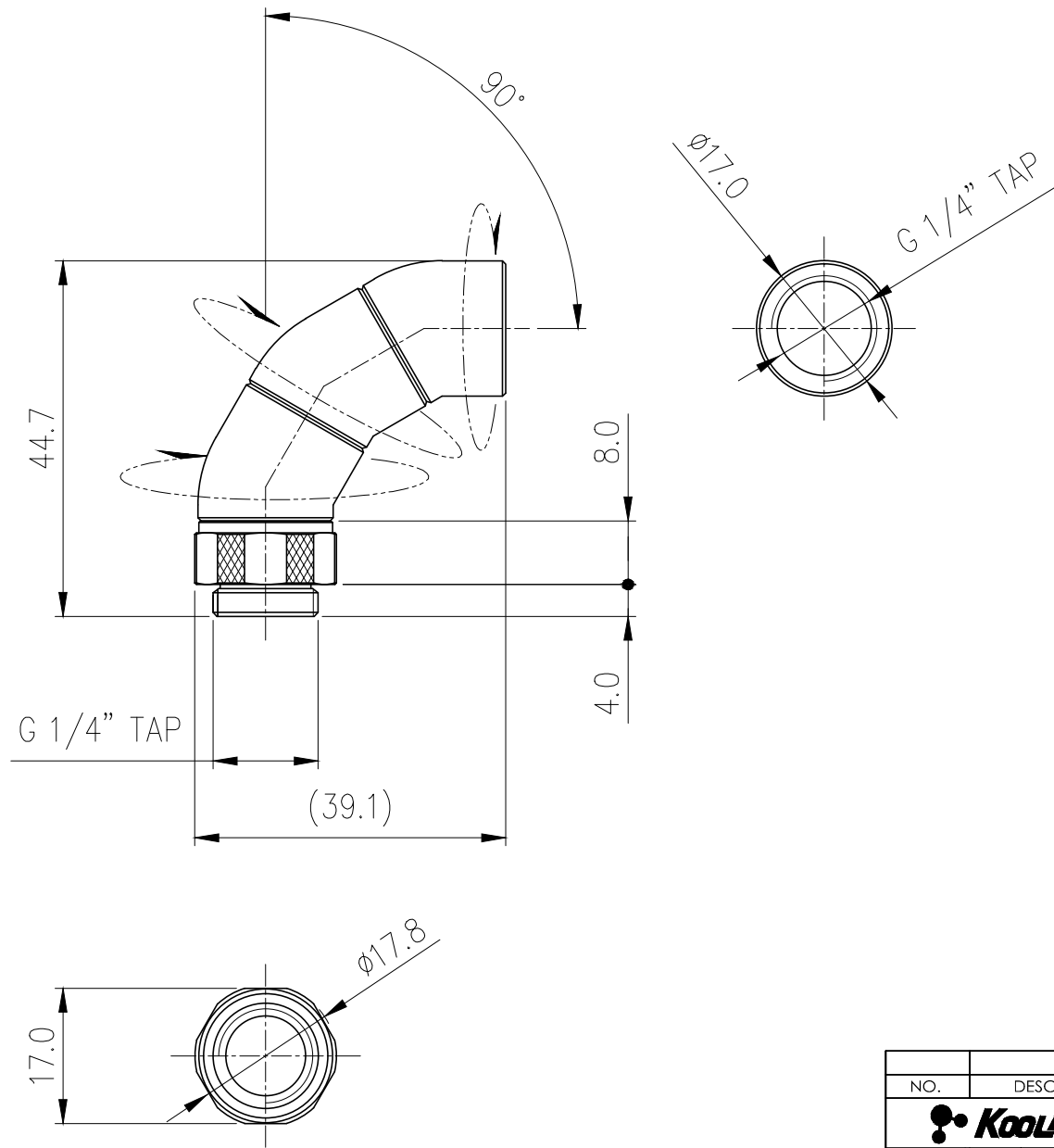




Koolance swiveling G 1/4 BSPP socket fitting. Each segment rotates for a maximum 90-degree bend.

General	
Weight	0.13 lb (0.06 kg)
Fitting Thread	G 1/4 BSPP
Max Pressure Tolerance @ 25° C	8kgf/cm2 (113.8psi)
Max Temperature Tolerance	100° C (212° F)
Wetted Materials	Brass, Nickel Plating, EPDM



NO.	DESCRIPTION	MATER'L		QUANTITY	REMARKS
	KOOLANCE	UNIT	MM	APPAR	ADT-DXG90
		SCALE	N/S	TITLE	Ass'y
DATE	BY	BY	BY	APPRO BY	3RD ANGLE
04/06/2017	S.J.LEE				CODE NO.
					DWG. NO.