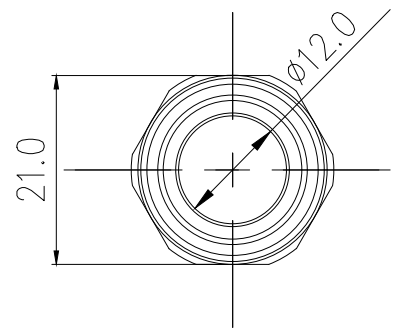
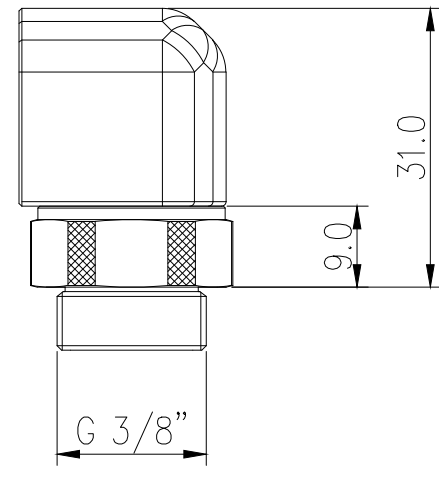
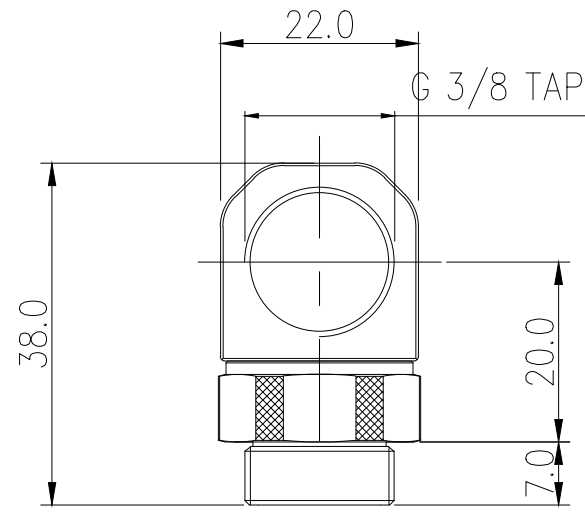


Fitting Single, Swiveling Elbow, G 3/8 BSPP



Create a swiveling 90 degree elbow bend using any Koolance G 3/8 BSPP (parallel) thread fitting. For a basic elbow fitting, the [Koolance Coupling Adapter](#) could also be used. Or for maximum adjustment, consider placing two swiveling elbow fittings together. Tube fitting not included.

General	
Weight	0.19 lb (0.09 kg)
Fitting Thread	G 3/8 BSPP
Max Pressure Tolerance @ 25° C	8kgf/cm2 (113.8psi)
Max Temperature Tolerance	100° C (212° F)
Wetted Materials	Brass, Nickel Plating, EPDM



NO.	DESCRIPTION				MATER'L		QUANTITY	REMARKS
					UNIT	MM		
	KOOLANCE				SCALE	N/S	APPAR	NZL-LXG38
DATE					BY	BY	BY	APPROD BY
	SK.AN				CODE NO.	DWG. NO.		