

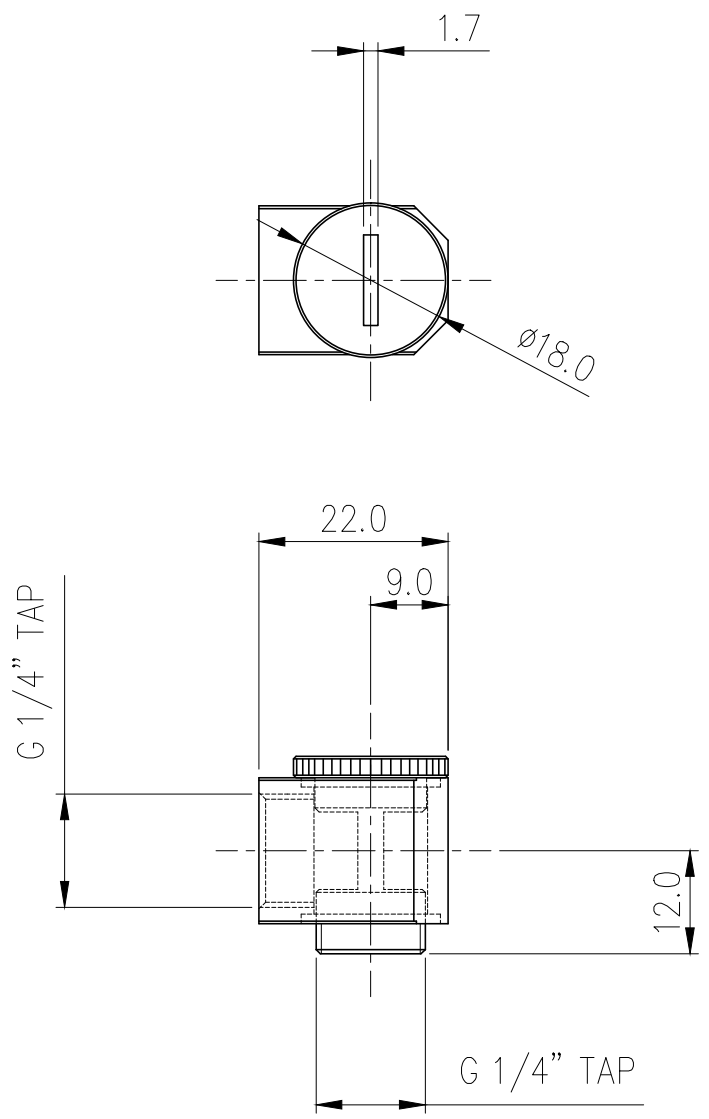
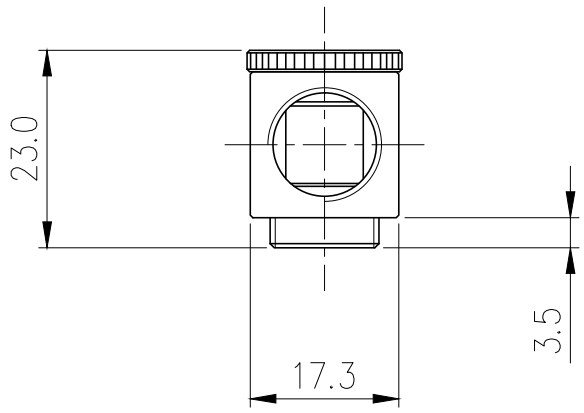
Fitting Single, Adjustable Elbow (Low Profile),  
G 1/4 BSPP



NZL-LXG2 is a special lower-profile fitting than [NZL-LXG1](#) at only 2cm (0.79") high.

Create a 90 degree elbow bend using any Koolance G 1/4 BSPP (parallel) thread fitting. This fitting's angle can be adjusted before tightening down the slot-headed piece. For a basic elbow fitting, the [Koolance Coupling Adapter](#) could also be used. Or for maximum adjustment, consider placing two elbow fittings together. Tube fitting not included.

General	
Weight	0.09 lb (0.04 kg)
Fitting Thread	G 1/4 BSPP
Materials	Brass, Nickel Plating, EPDM
Max Pressure @ 25°C	8kgf/cm <sup>2</sup> (113.8psi)
Max Temperature	100°C (212°F)



NO.	DESCRIPTION	MATER'L		QUANTITY	REMARKS
	<b>KOOLANCE</b>	UNIT	MM	APPAR	NZL-LXG2(-BK)
		SCALE	N/S	TITLE	
DATE	BY	BY	BY	BY	3RD ANGLE
04/25/2017	S.J.LEE				DWG. NO.
					Ass'y