



The GPU-220 is a general-purpose block with a 0.5mm microfin internal structure. The cooling area footprint is 45mm x 45mm (1.8in x 1.8in). Revision 2 includes a new acetal bracket and mounting hardware for higher contact pressure and performance (in addition to the original mounting hardware).

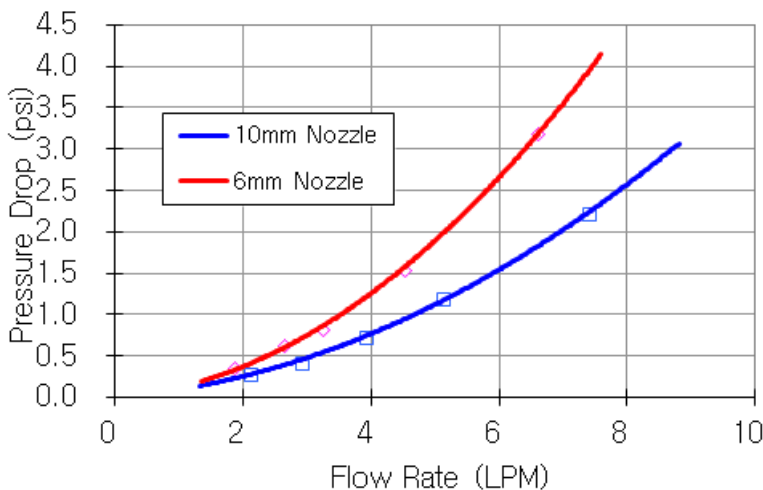
Materials include a copper cold plate, brass top, anti-corrosive nickel plating, and EPDM o-ring. Works with G 1/4 BSPP (parallel) thread fittings. Redundant side and top inlet/outlet fitting sockets allow for more flexibility during installation. Two fitting socket plugs are included.

The new acetal bracket mounts diagonal hole distances from approximately 69-87mm. The alternative swinging metal bracket arms accommodate diagonal hole distances of about

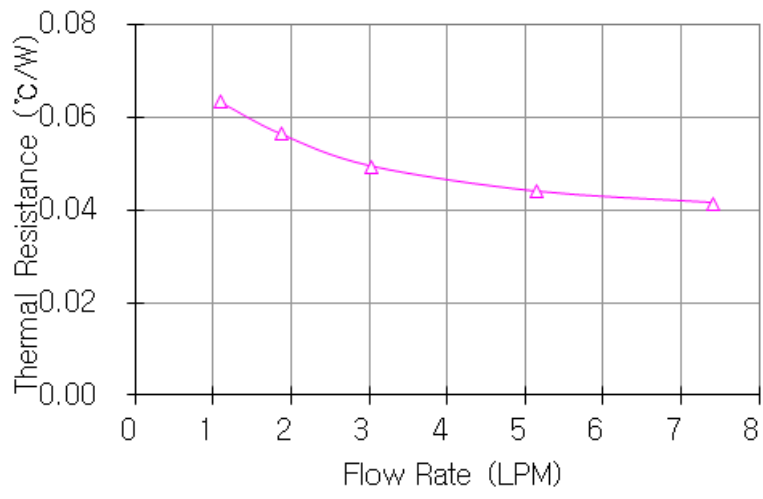
50mm to 82mm.

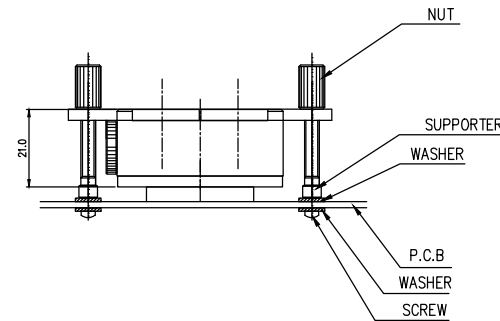
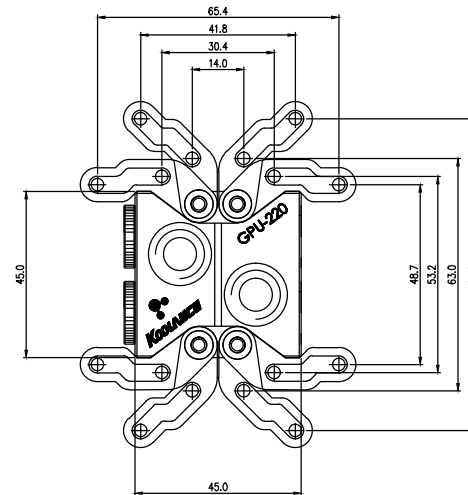
Cold Plates	
Flow Resistance @ 5LPM (10-13mm ID)	0.084kgf/cm2 (1.2psi)
Thermal Resistance @ 5LPM (Approx.)	0.043° C/W
General	
Weight	0.63 lb (0.29 kg)
Fitting Thread	G 1/4 BSPP
Max Pressure Tolerance @ 25° C	10kgf/cm2 (142.2psi)
Max Temperature Tolerance	100° C (212° F)
Wetted Materials	Nickel-Plated Copper, Nickel-Plated Brass, EPDM

GPU-220



GPU-220





REV	DATE	CONTENTS	REV'D BY	CHKD BY	APPD BY
REVISION					

NO.		DESCRIPTION			MATER'L		QUANTITY	REMARKS
KODANCE		UNIT	MM		ITEM		GPU-220	
		SCALE	N/S		TITLE		ASSY	
DATE	BY	BY	BY	APPRD BY	DECIMAL PLACES	DWG. NO.		PAGE
	A.K.Song				0 : ±0.3 0.X : ±0.1 0.XX : ±0.05			
					CODE NO.			