

HD-60 Cold Plate for 3.5in Hard Drives, 100mm x 146mm (3.9in x 5.7in)

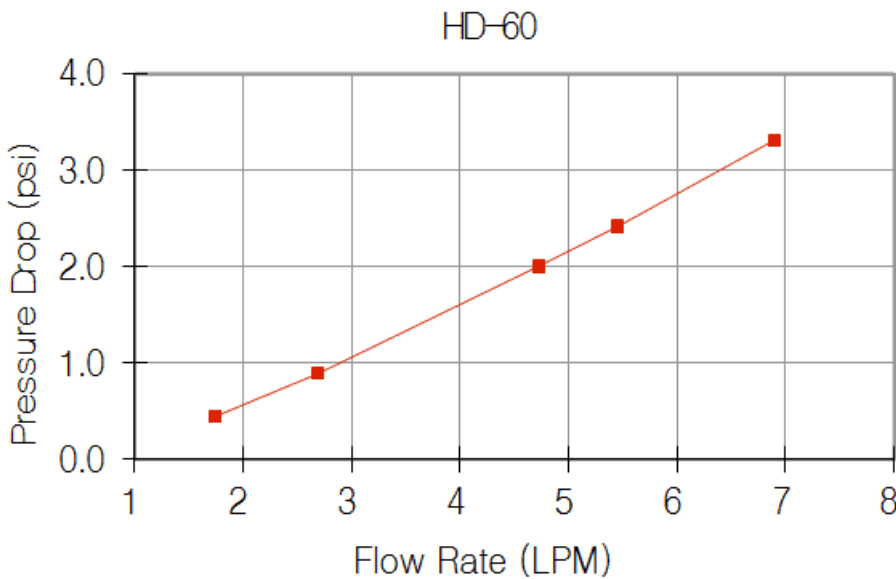


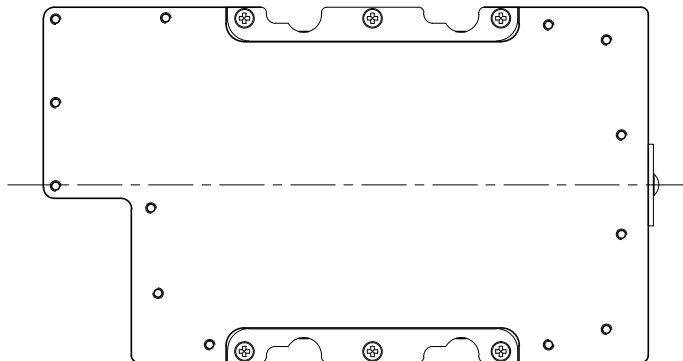
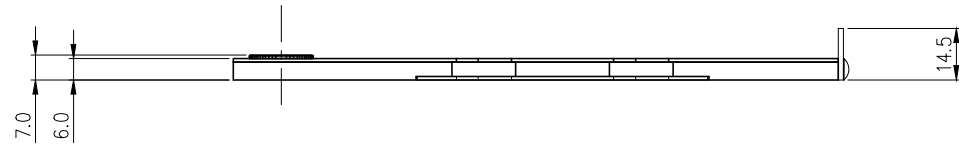
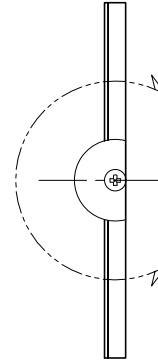
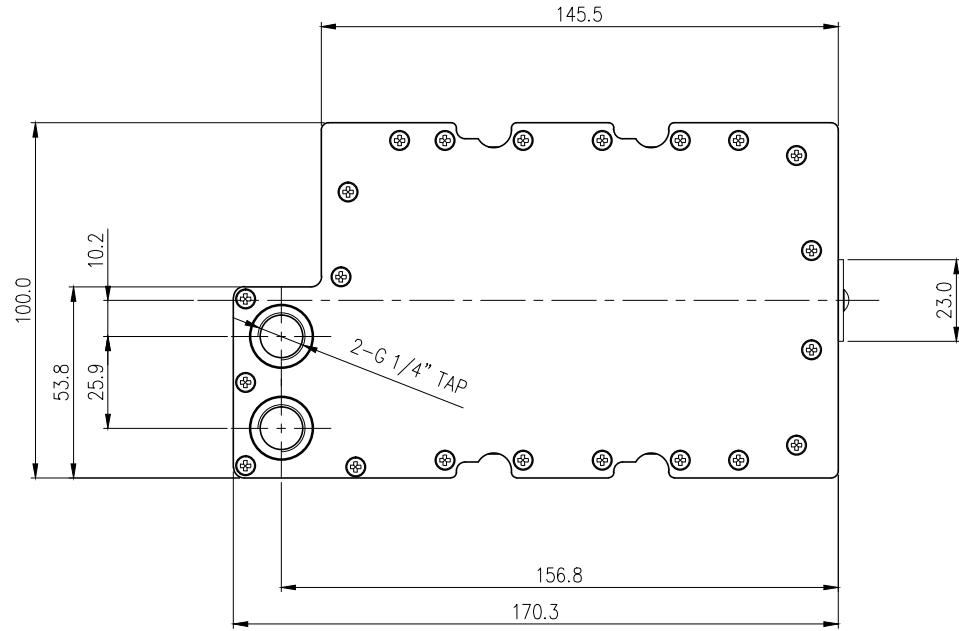
The double sided Koolance HD-60 captures heat from the spindle motor and printed circuit boards of one or two 3.5-inch IDE, SATA, SCSI, or SAS drives. The HD-60 allows any available fitting diameter.

The HD-60 is an all-metal water block, providing a thin profile of just 5/16in (8.5mm) for single or dual hard drive cooling. One bi-pack of thermal encapsulate is provided with the HD-60 for cooling a single hard drive. A [Second Hard Drive Kit](#) is required if cooling two drives.

NOTE: The HD-60 water block may not work in all systems. If your chassis places the hard drive connections near a side panel (perpendicular to the front), make sure there is sufficient clearance for the HD-60. For a better understanding of compatibility, [please click here](#).

General	
Weight	1.12 lb (0.51 kg)
Materials	Nickel-Plated Copper, Nickel-Plated Brass, Stainless Steel, EPDM
Max Pressure @ 25°C	2kgf/cm2 (28.5psi)
Max Temp. Operating Tolerance	100°C (212°F)





NO.	DESCRIPTION	MATER'L		QUANTITY	REMARKS
	KOOLANCE	UNIT	MM	APPAR	HD-60
		SCALE	N/S	TITLE	
DATE	BY	BY	BY	APPRO BY	Ass'y
04/11/2017	S.J.LEE				DWG. NO.