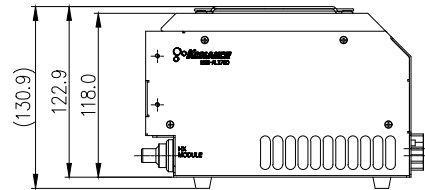
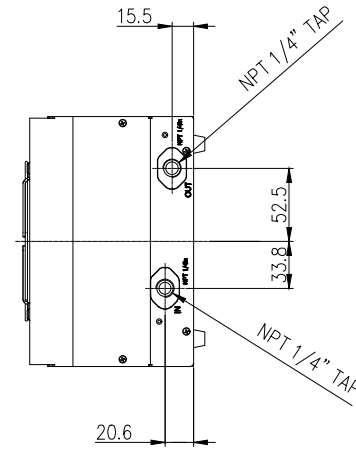
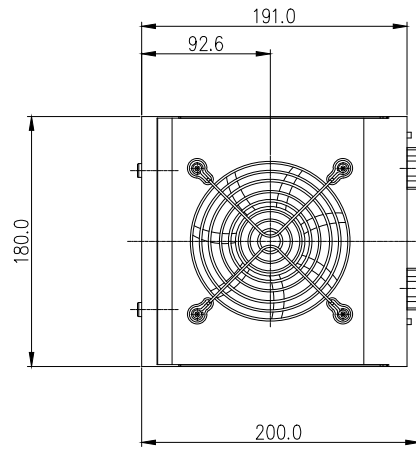
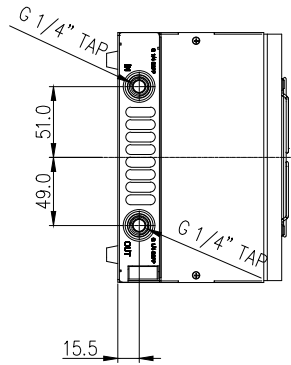
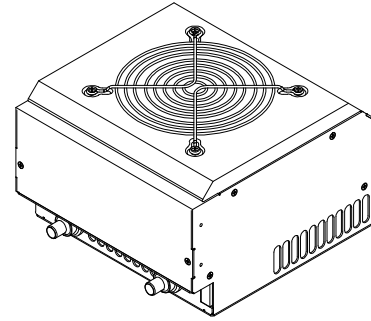
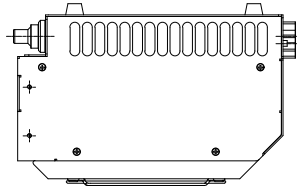


HXM-ALX750 Heat Exchanger Module for ALX Series (Refurb)



HXM-ALX750 is a single fan heat exchanger for Koolance's [ALX modular cooling systems](#). When combined with an [RPM reservoir and pump module](#) (sold separately), the heat dissipation is approximately 750W. Front fitting threads are G 1/4 BSPP, and the rear are 1/4 NPT.

General	
Weight	3.40 lb (1.54 kg)
Fitting Thread	G 1/4 BSPP (front), NPT 1/4 (back)
Wetted Materials	Brass/Copper
Cooling Systems	
Cooling Capacity	750W (2559BTU/hr) @ 25°C liquid-ambient (when combined with RPM-ALX400)
Radiators	
Fan Capacity	1 x 120mm



NO.	DISCRIPTION				MATER'L		QUANTITY	REMARKS
					UNIT	MM		
					SCALE	N/S	TITLE	Ass'y
DATE	BY	BY	BY	APPRO	3RD ANGLE			
MAR.13.2026	S.J.LEE				CODE NO.		DWG. NO.	PAGE