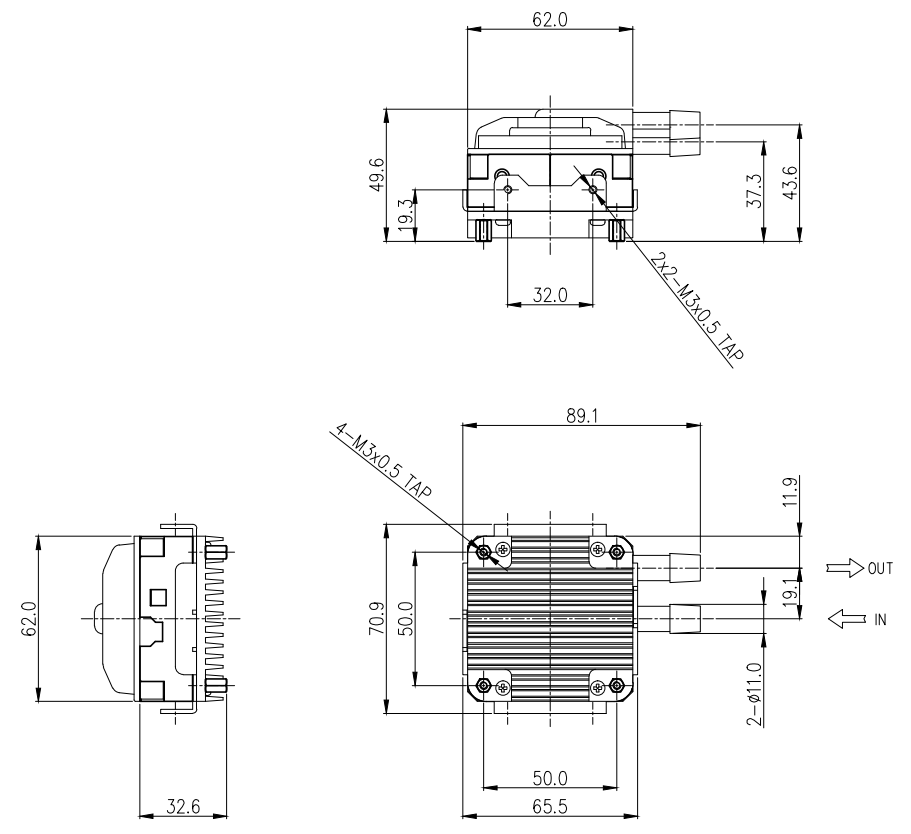
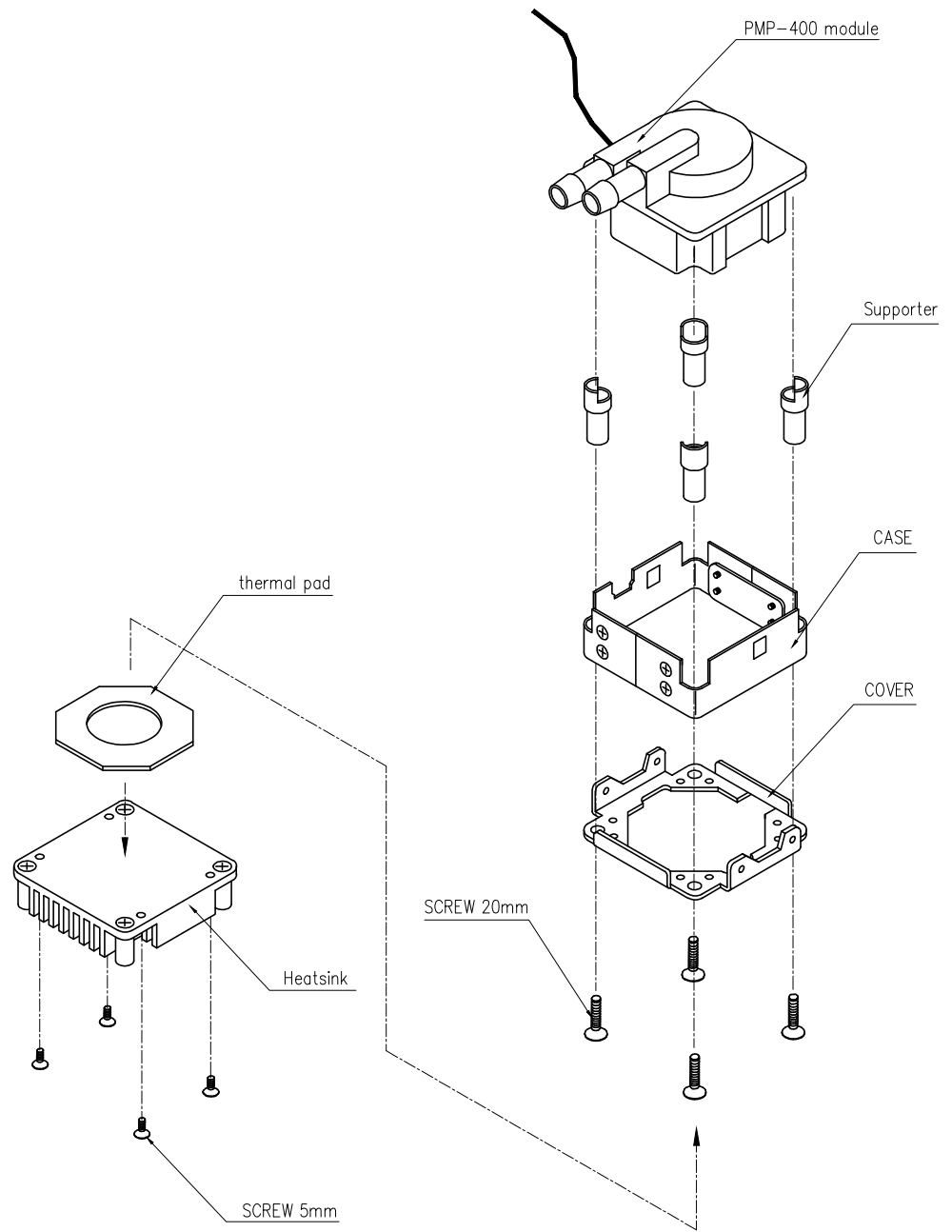




HTS-PMP400 is an optional aluminum heat sink for extra cooling of the Koolance [PMP-400](#) pump. This can assist in improving component reliability under high ambient temperature conditions. When assembled, the heat sink is in direct contact with the pump electronics via a thermal pad.

A steel base with bottom and side mounting features is included along with related mounting hardware. This base replaces the stock plastic base. HTS-PMP400 is compatible with both the original pump top and Koolance [COV-RP400](#) pump fitting base.

General	
Weight	0.50 lb (0.23 kg)



NO.	DESCRIPTION	MATER'L	QUANTITY	REMARKS
	KOOLANCE	UNIT	MM	PART NO. HTS-PMP400
		SCALE	N/S	TITLE
DATE	BY	BY	APPRO BY	3RD ANGLE
05/15/2017	S.J.LEE			DWG. NO.
				ITEM

Ass'y