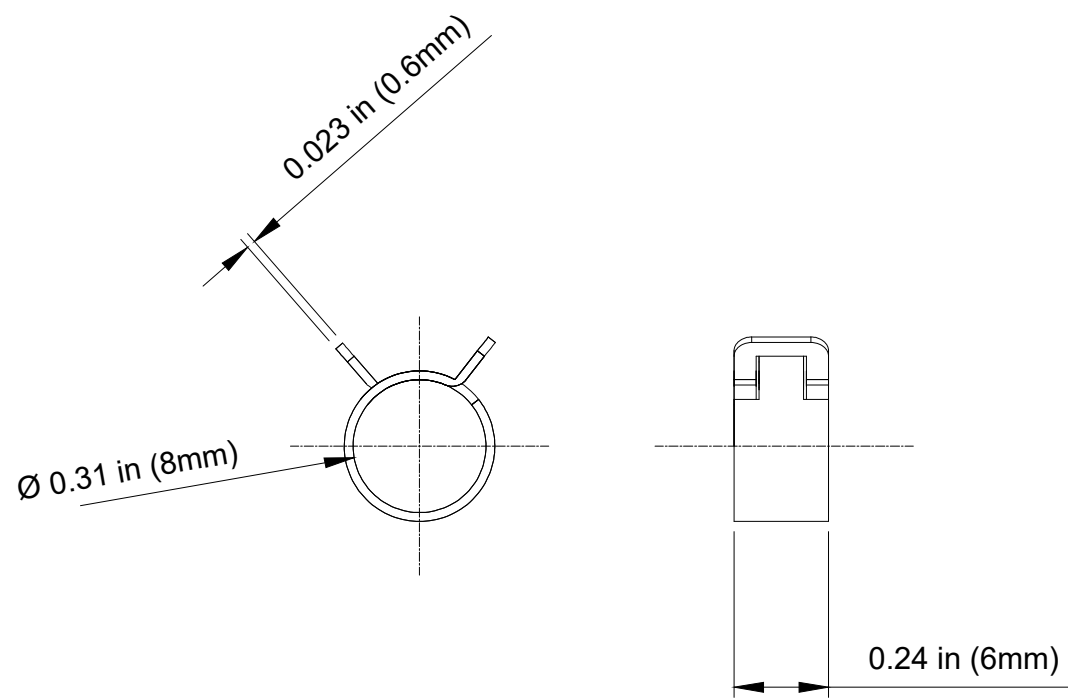


Tubing Spring Clamp for OD 10mm (3/8in) - [10 pack]



10 pack of reusable constant tension spring clamps for securing 10mm (3/8in) OD tubing to Koolance barbed fittings.

| General | |
|------------------|---------------------|
| Weight | 0.05 lb (0.02 kg) |
| Wetted Materials | Nickel-plated steel |



Nickel plated steel

| NO. | DESCRIPTION | | | | | MATER'L | | QUANTITY | REMARKS |
|------------|-------------|----|----|-----------|-----------|---------|-----|----------|---------|
| | | | | | | UNIT | MM | APPAR | |
| | | | | | | SCALE | N/S | TITLE | CLM-06N |
| DATE | BY | BY | BY | APPROD BY | 3RD ANGLE | | | | |
| 2026.05.11 | SK.An | | | | CODE NO. | | | DWG. NO. | |