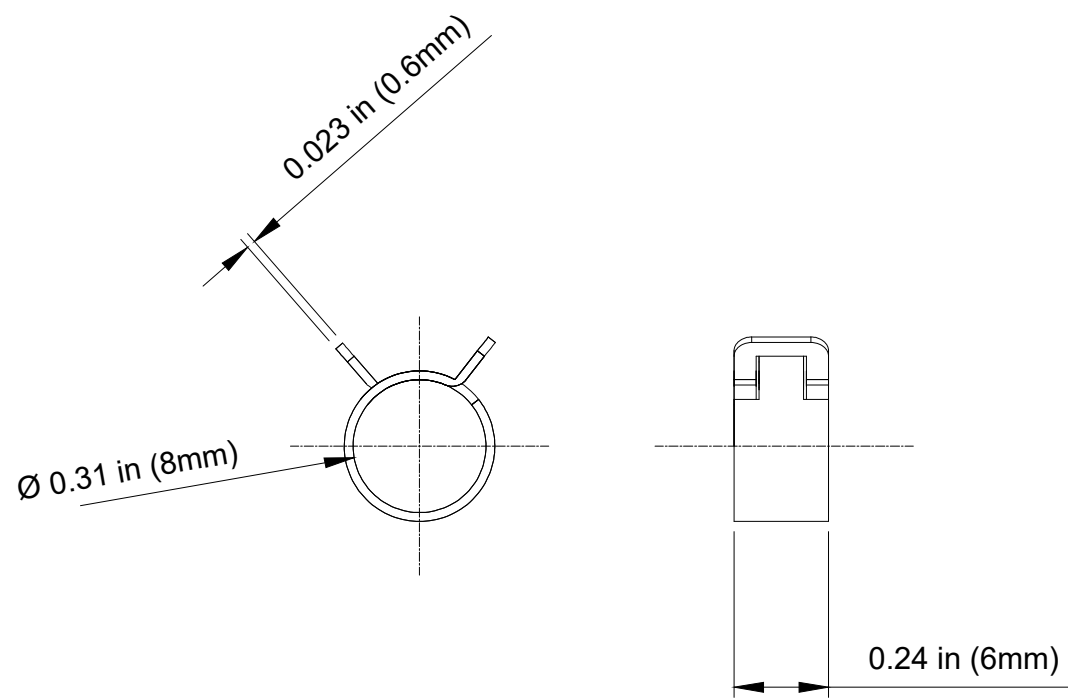




100 pack of reusable constant tension spring clamps for securing 10mm (3/8in) OD tubing to Koolance barbed fittings.

General	
Weight	0.31 lb (0.14 kg)
Wetted Materials	Nickel-plated steel



Nickel plated steel

NO.	DESCRIPTION				MATER'L		QUANTITY	REMARKS
					UNIT	MM	APPAR	
					SCALE	N/S	TITLE	CLM-06N
DATE	BY	BY	BY	APPROD BY	3RD ANGLE			
2026.05.11	SK.An				CODE NO.		DWG. NO.	