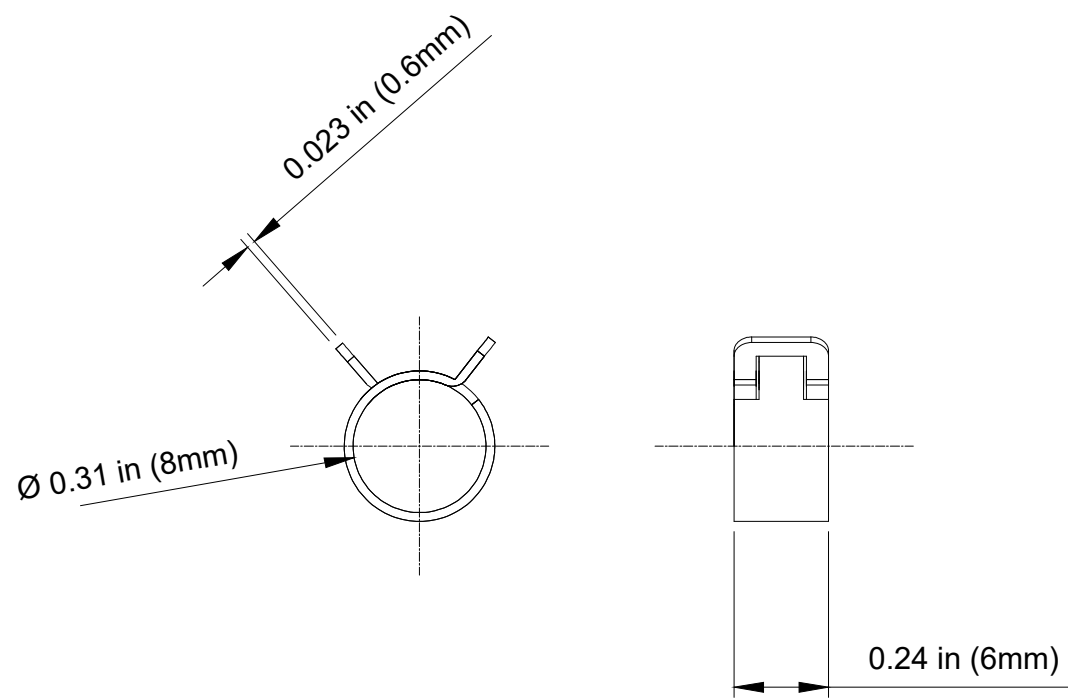


Hose Spring Clamp for OD 10mm (3/8in)




Reusable constant tension spring spring clamp for connecting 10mm (3/8in) OD tubing to Koolance barbed fittings.

| General | |
|------------------|---------------------|
| Weight | 0.00 lb (0.00 kg) |
| Wetted Materials | Nickel-plated steel |



Nickel plated steel

| NO. | DESCRIPTION | | | | MATER'L | | QUANTITY | REMARKS |
|------------|---------------------------------------------------------------------------------------|--|--|--|----------|----------|-------------------------|---------|
| | | | | | UNIT | MM | | |
| |  | | | | SCALE | N/S | TITLE CLM-06N | |
| DATE | | | | | BY | BY | | |
| 2026.05.11 | SK.An | | | | CODE NO. | DWG. NO. | | |