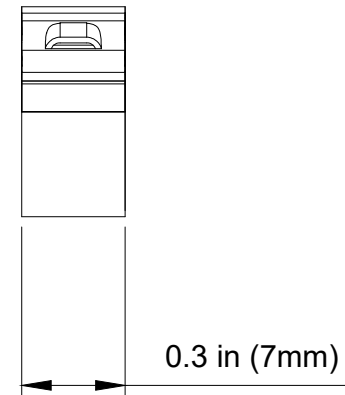
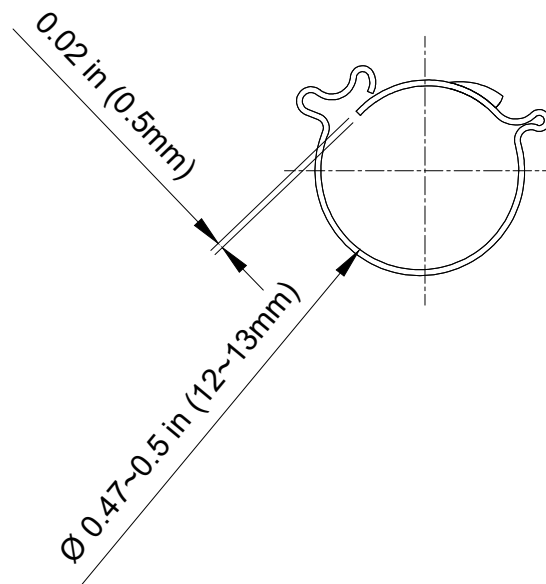


Tubing Ear Clamp for OD 10mm (3/8in)




Reusable snap-grip ear clamp for securing 10mm (3/8in) OD tubing to barbed fittings.

General	
Weight	0.00 lb (0.00 kg)



Stainless steel (AISI 304)

NO.	DESCRIPTION					MATER'L		QUANTITY	REMARKS
						UNIT	MM	APPAR	
						SCALE	N/S	TITLE	
DATE	BY	BY	BY	APPRD BY	3RD ANGLE		CLM-06		
2026.05.11	SK.An				CODE NO.		DWG. NO.		