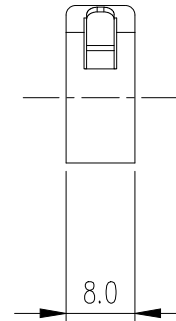
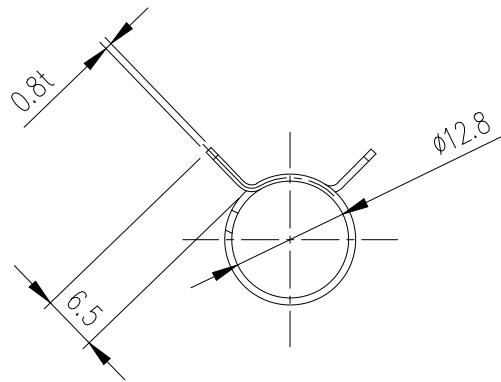


Tubing Spring Clamp for OD 13mm (1/2in) - [10 Pack]



10 pack of reusable constant tension spring clamps for securing 13mm (1/2in) OD tubing to Koolance barbed fittings.

General	
Weight	0.05 lb (0.02 kg)
Wetted Materials	Nickel-plated steel



NO.	DESCRIPTION	MATER'L	QUANTITY	REMARKS
	KOOLANCE	UNIT	MM	PART NO. CLM-10
		SCALE	N/S	TITLE
DATE	BY	BY	APPRO BY	3RD ANGLE
JAN.13.2022	S.J.LEE			CODE NO.
				DWG. NO.

Hose Spring Clamp