



www.koolance.com

**Specifications Sheet**

Generated: 2026-05-10

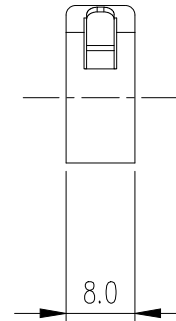
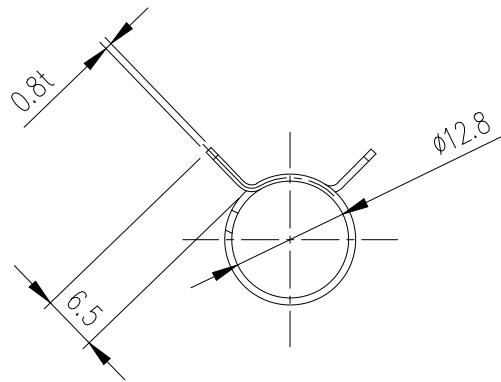
**P/N: CLM-10-100P**

**Tubing Spring Clamp for OD 13mm (1/2in) -  
[100 Pack]**



100 pack of reusable constant tension spring clamps for securing 13mm (1/2in) OD tubing to Koolance barbed fittings.

| General          |                     |
|------------------|---------------------|
| Weight           | 0.50 lb (0.23 kg)   |
| Wetted Materials | Nickel-plated steel |



| NO.         | DESCRIPTION     | MATER'L | QUANTITY | REMARKS         |
|-------------|-----------------|---------|----------|-----------------|
|             | <b>KOOLANCE</b> | UNIT    | MM       | PART NO. CLM-10 |
|             |                 | SCALE   | N/S      | TITLE           |
| DATE        | BY              | BY      | APPRO BY | 3RD ANGLE       |
| JAN.13.2022 | S.J.LEE         |         |          | CODE NO.        |
|             |                 |         |          | DWG. NO.        |
|             |                 |         |          |                 |

Hose Spring Clamp