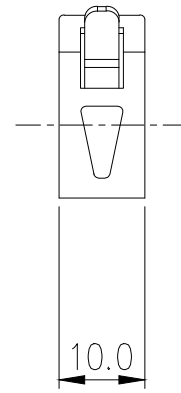
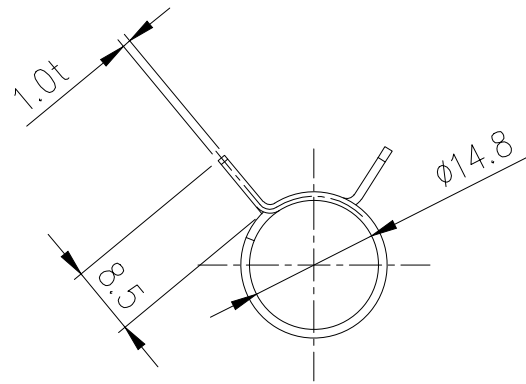


Tubing Spring Clamp for OD 16mm (5/8in) - [10 Pack]



10 pack of reusable constant tension spring clamps for securing 16mm (5/8in) OD tubing to Koolance barbed fittings.

General	
Weight	0.10 lb (0.05 kg)
Wetted Materials	Nickel-plated steel



NO.	DESCRIPTION	MATER'L	QUANTITY	REMARKS
	KOOLANCE	UNIT	MM	PART NO. CLM-13
		SCALE	N/S	TITLE
DATE	BY	BY	APPRO BY	3RD ANGLE
DEC.21.2021	S.J.LEE			
			CODE NO.	DWG. NO.