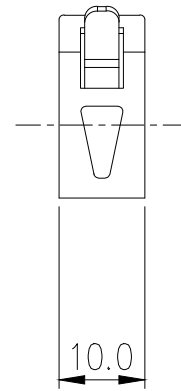
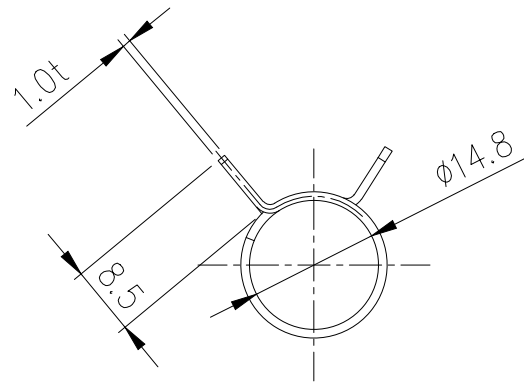


**Tubing Spring Clamp for OD 16mm (5/8in) -  
[100 Pack]**



100 pack of reusable constant tension spring clamps for securing 16mm (5/8in) OD tubing to Koolance barbed fittings.

General	
Weight	1.00 lb (0.45 kg)
Wetted Materials	Nickel-plated steel



NO.	DESCRIPTION	MATER'L		QUANTITY	REMARKS
	<b>KOOLANCE</b>	UNIT	MM	PART NO. CLM-13	
		SCALE	N/S	TITLE	
DATE	BY	BY	APPRO BY	3RD ANGLE Hose Spring Clamp	
DEC.21.2021	S.J.LEE			CODE NO.	DWG. NO.