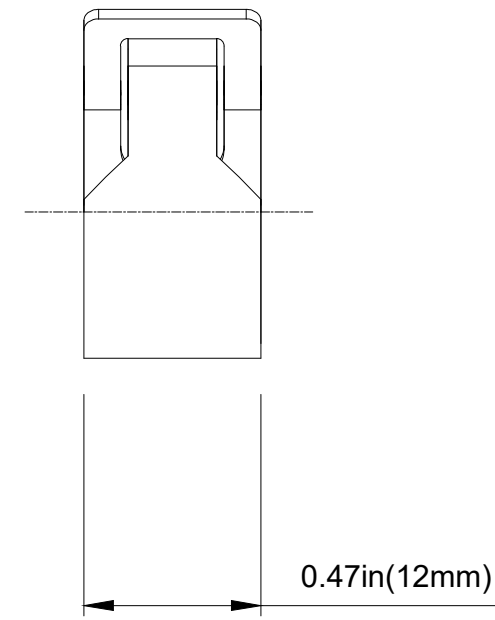
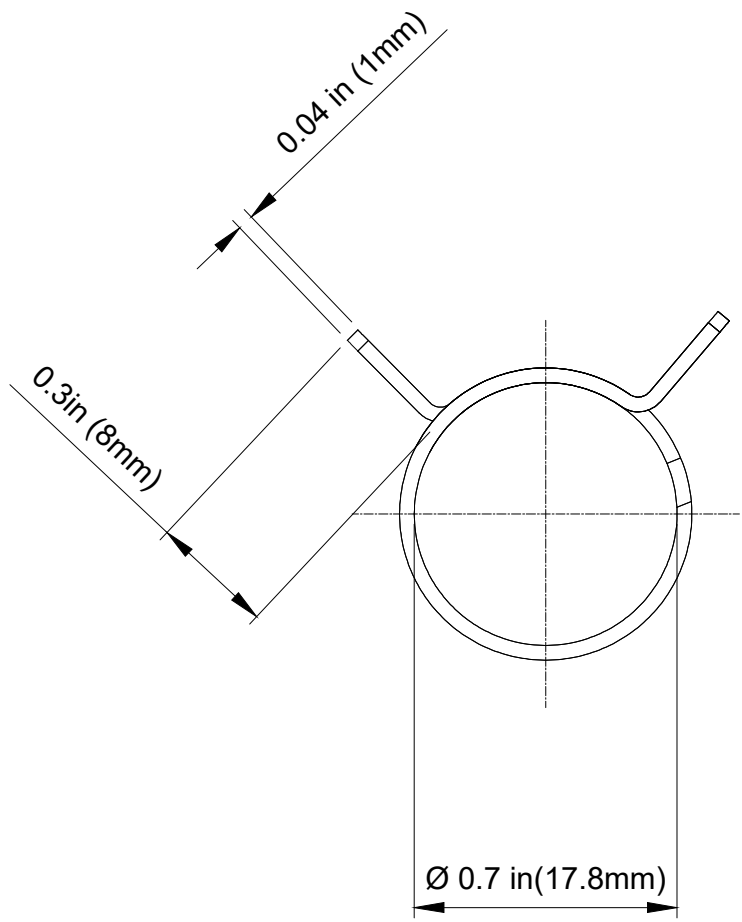


Tubing Spring Clamp for OD 19mm (3/4in) - [10 Pack]




10 pack of reusable constant tension spring clamps for securing 19mm (3/4in) OD tubing to Koolance barbed fittings.

General	
Weight	0.11 lb (0.05 kg)
Wetted Materials	Nickel-plated steel



Nickel plated steel

NO.	DESCRIPTION					MATER'L		QUANTITY	REMARKS
						UNIT	MM	APPAR	
						SCALE	N/S	TITLE CLM-19-xx	
DATE						BY	BY		
2026.05.11	SK.An				CODE NO.		DWG. NO.		