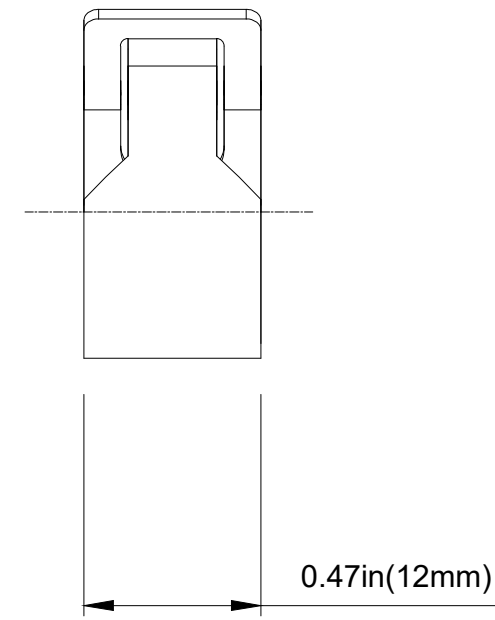
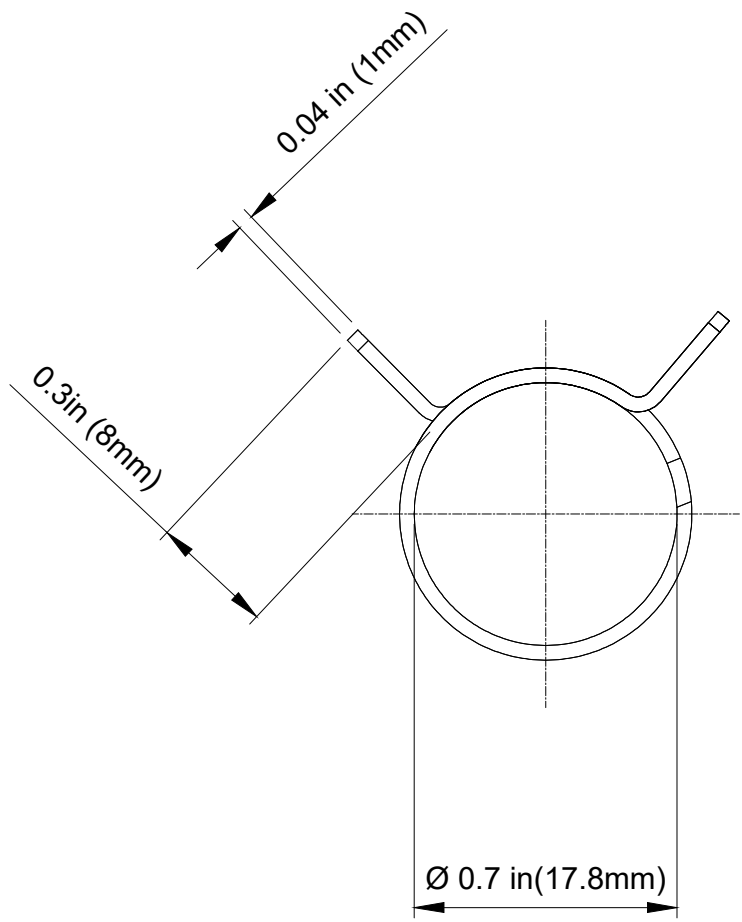


**Tubing Spring Clamp for OD 19mm (3/4in) -
[100 Pack]**




100 pack of reusable constant tension spring clamps for securing 19mm (3/4in) OD tubing to Koolance barbed fittings.

| General | |
|------------------|---------------------|
| Weight | 1.10 lb (0.50 kg) |
| Wetted Materials | Nickel-plated steel |



Nickel plated steel

| NO. | DESCRIPTION | | | | | MATER'L | | QUANTITY | REMARKS |
|------------|---|--|--|--|----------|---------|----------|---------------------------|---------|
| | | | | | | UNIT | MM | APPAR | |
| |  | | | | | SCALE | N/S | TITLE CLM-19-xx | |
| DATE | | | | | | BY | BY | | |
| 2026.05.11 | SK.An | | | | CODE NO. | | DWG. NO. | | |