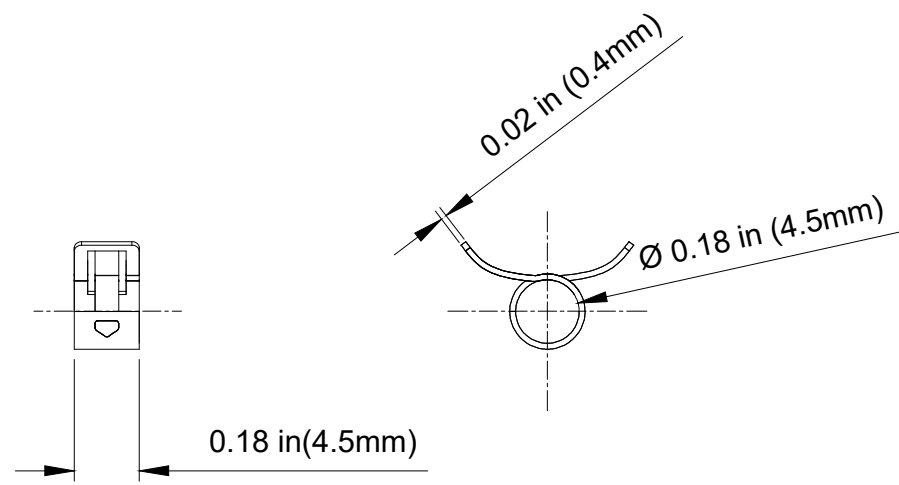


Tubing Spring Clamp for OD 5mm (3/16in) - [10 Pack]




10 pack of reusable constant tension spring clamps for securing 5mm (3/16in) OD tubing to Koolance barbed fittings.

General	
Weight	0.01 lb (0.00 kg)
Wetted Materials	Nickel-plated steel



Nickel plated steel

NO.	DESCRIPTION				MATER'L		QUANTITY	REMARKS
					UNIT	MM		
					SCALE	N/S	TITLE CLM-03N-xx	
DATE					BY	BY		
2026.05.11	SK.An				CODE NO.	DWG. NO.		