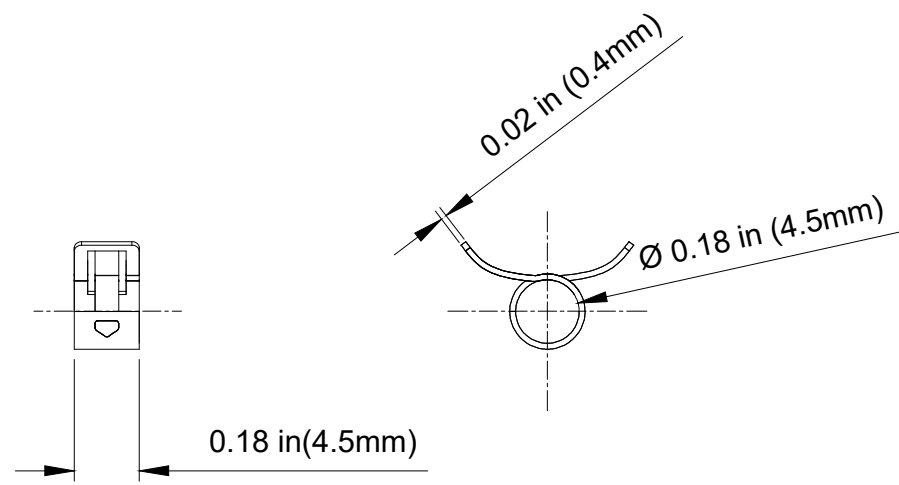





100 pack of reusable constant tension spring clamps for securing 5mm (3/16in) OD tubing to Koolance barbed fittings.

General	
Weight	0.06 lb (0.03 kg)
Wetted Materials	Nickel-plated steel



Nickel plated steel

NO.	DESCRIPTION				MATER'L		QUANTITY	REMARKS
					UNIT	MM	APPAR	
					SCALE	N/S	TITLE	
DATE	BY	BY	BY	APPRD BY	3RD ANGLE		<b>CLM-03N-xx</b>	
2026.05.11	SK.An				CODE NO.	DWG. NO.		