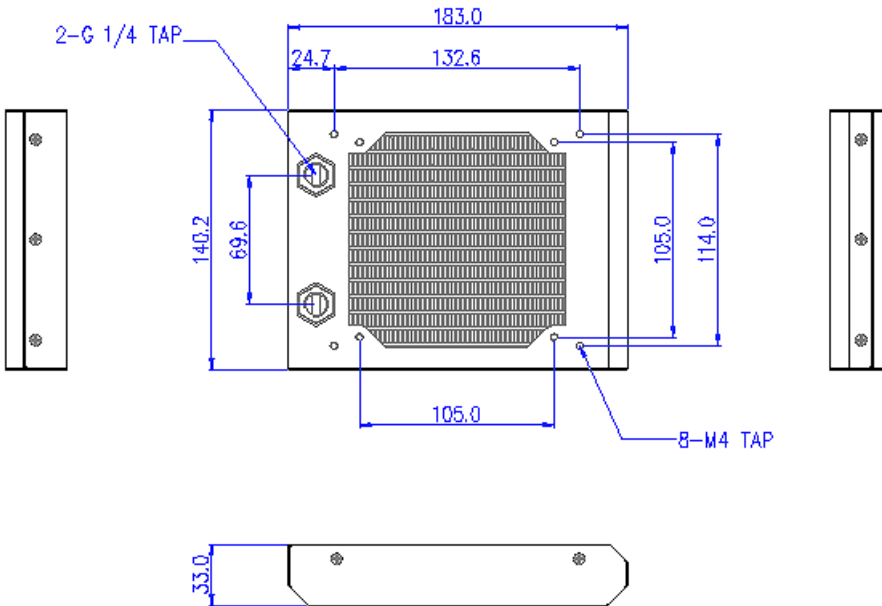


Radiator, HX-420 1x120mm 18-FPI Aluminum



HX-420 is a low profile aluminum radiator designed for one 120mm fan. With a fin density of 18 FPI (fins per inch), it is optimized for quieter air flow ranges. It has a dual pass coolant design, and is G 1/4 BSPP (parallel) thread for hose fittings. 30mm (1.18") long mounting screws are included for 25mm thick fans (see Koolance [radiator screw packs](#) for additional options).

General	
Weight	1.25 lb (0.57 kg)
Wetted Materials	Aluminum
Radiators	
Fan Capacity	1 x 120mm
Fins Per Inch (FPI)	18



HX-420

