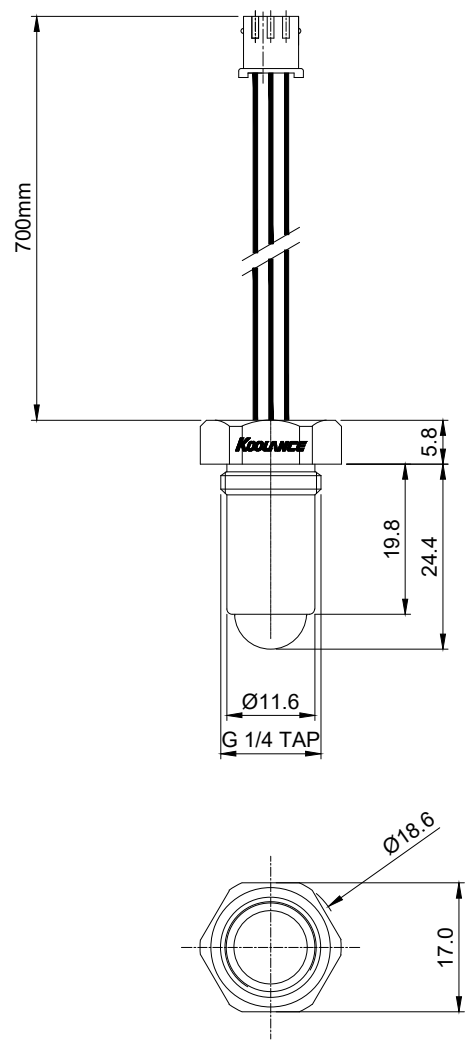




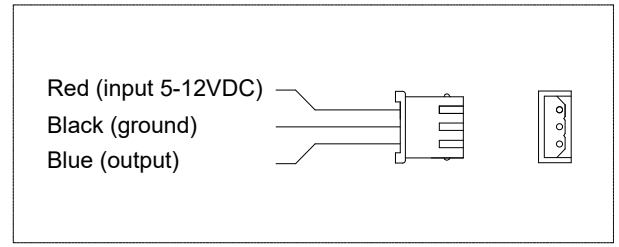
Koolance infrared liquid level sensor. Total length of sensor = 29mm (1.14in). Nickel plated brass, G 1/4 BSPP threading.

- Input: 5-12VDC
- Output: 0V when in liquid, 3.5-10.5V in air
- Current: 20mA max @ 12V
- Connector: Molex 5264, 3-wire
- Pinout: blue = output, black = ground, red = input (5-12VDC)
- Wire length: 700mm

General	
Weight	0.08 lb (0.04 kg)
Fitting Thread	G 1/4 BSPP
Max Pressure Tolerance @ 25 °C	1.5kgf/cm2 (21.3psi)
Max Temperature Tolerance	70 °C (158 °F)
Wetted Materials	Nickel-Plated Brass, EPDM, PMMA Acrylic



. Connector: Molex 5264-03 (or Equivalent)



**NOTE**

1. General Tolerance : ±0.3

REV	DATE	CONTENTS	REVD BY	CHKD BY	APPD BY

REVISION

NO.	DESCRIPTION	MATER'L	QUANTITY	REMARKS



PART NO. SEN-LVLIR01

Ass'y