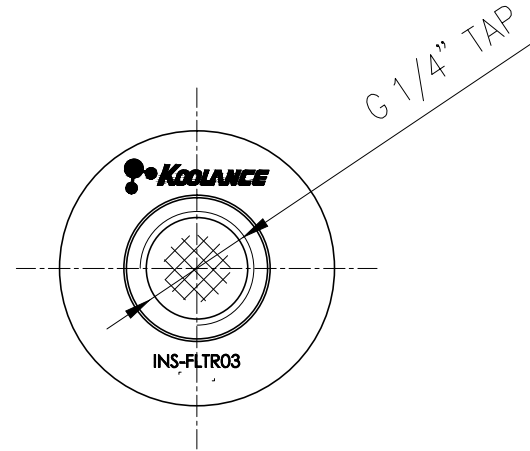
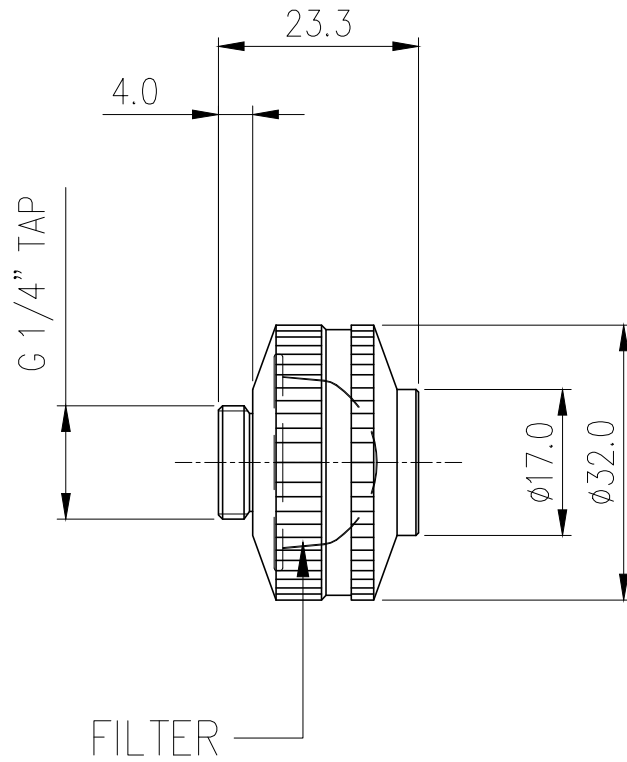




All metal inline coolant filter for keeping accidental debris from damaging the pump or clogging other components. It includes two reusable stainless steel filters with hole sizes of 0.42mm/sq and 0.27mm/sq.

G 1/4 BSPP sockets are provided on both sides, with one male and one female for easy installation into the inlet of a water block, pump, or heat exchanger. Nickel-plated brass and stainless steel mesh filters. The filter body can be unscrewed for cleaning or replacement.

General	
Weight	0.16 lb (0.07 kg)
Fitting Thread	G 1/4 BSPP
Max Pressure Tolerance @ 25°C	5kgf/cm ² (71.1psi)
Max Temperature Tolerance	70°C (158°F)
Wetted Materials	Nickel-Plated Brass, Stainless Steel, EPDM



NO.	DESCRIPTION				MATER'L		QUANTITY	REMARKS
					UNIT	MM		
	KOOLANCE				SCALE	N/S	APPAR	INS-FLTR03
DATE					BY	BY	BY	APPRO
04/11/2017	S.J.LEE					3RD ANGLE	TITLE	
						CODE NO.	DWG. NO.	