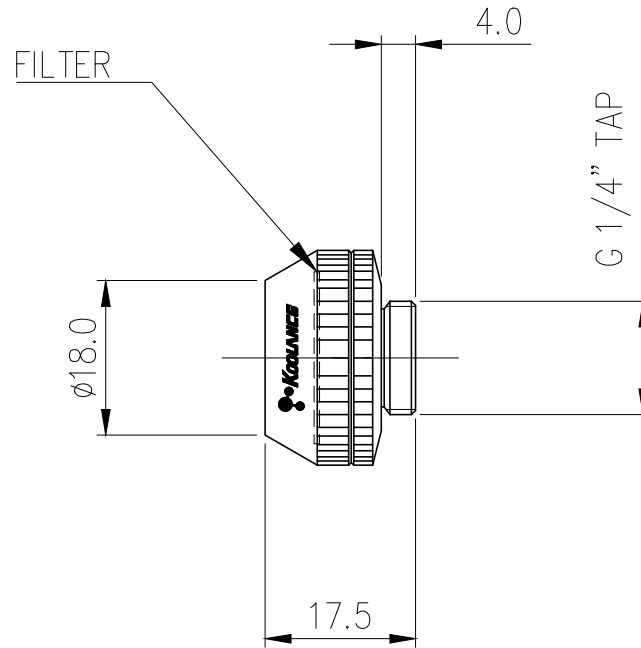
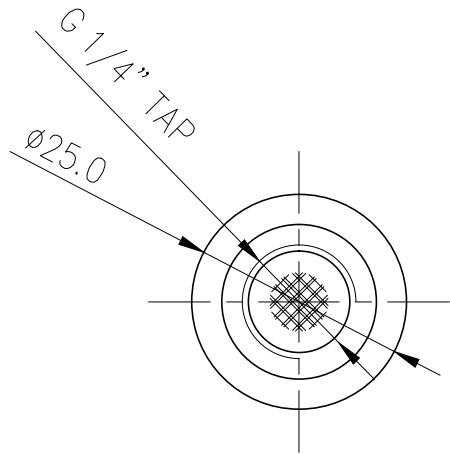




All metal inline coolant filter for keeping accidental debris from damaging the pump or clogging other components. It includes a reusable stainless steel filter with a hole size of 0.85mm/sq.

G 1/4 BSPP sockets are provided on both sides, with one male and one female for easy installation into the inlet of a water block, pump, or heat exchanger. Nickel-plated brass and stainless steel mesh filter. The filter body can be unscrewed for cleaning.

General	
Weight	0.09 lb (0.04 kg)
Fitting Thread	G 1/4 BSPP
Max Pressure Tolerance @ 25°C	5kgf/cm ² (71.1psi)
Max Temperature Tolerance	70°C (158°F)
Wetted Materials	Nickel-Plated Brass, Stainless Steel, EPDM



NO.	DESCRIPTION	MATER'L		QUANTITY	REMARKS
	KOOLANCE	UNIT	MM	APPAR	INS-FLTR04
		SCALE	N/S	TITLE	
DATE	BY	BY	APPRO BY	3RD ANGLE	
04/12/2017	S.J.LEE			CODE NO.	DWG. NO.
					Ass'y